



# **E260, 260d/dn, E360d/dn, E460dn/dw, X203n MFP, X204n MFP**

---

## **Technical Reference**

**February 2010**

**[www.lexmark.com](http://www.lexmark.com)**

---

Lexmark and Lexmark with diamond design are trademarks of Lexmark International, Inc., registered in the United States and/or other countries. All other trademarks are the property of their respective owners.

**February 2010**

**All rights reserved.**

740 West New Circle Road  
Lexington, Kentucky 40550

## **Edition notice**

February 2010

**The following paragraph does not apply to any country where such provisions are inconsistent with local law:** LEXMARK INTERNATIONAL, INC., PROVIDES THIS PUBLICATION "AS IS" WITHOUT WARRANTY OF ANY KIND, EITHER EXPRESS OR IMPLIED, INCLUDING, BUT NOT LIMITED TO, THE IMPLIED WARRANTIES OF MERCHANTABILITY OR FITNESS FOR A PARTICULAR PURPOSE. Some states do not allow disclaimer of express or implied warranties in certain transactions; therefore, this statement may not apply to you.

This publication could include technical inaccuracies or typographical errors. Changes are periodically made to the information herein; these changes will be incorporated in later editions. Improvements or changes in the products or the programs described may be made at any time.

References in this publication to products, programs, or services do not imply that the manufacturer intends to make these available in all countries in which it operates. Any reference to a product, program, or service is not intended to state or imply that only that product, program, or service may be used. Any functionally equivalent product, program, or service that does not infringe any existing intellectual property right may be used instead. Evaluation and verification of operation in conjunction with other products, programs, or services, except those expressly designated by the manufacturer, are the user's responsibility.

For Lexmark technical support, visit [support.lexmark.com](http://support.lexmark.com).

For information on supplies and downloads, visit [www.lexmark.com](http://www.lexmark.com).

If you don't have access to the Internet, you can contact Lexmark by mail:

Lexmark International, Inc.  
Bldg 004-2/CSC  
740 New Circle Road NW  
Lexington, KY 40550  
USA

**February 2010**

**All rights reserved.**

## **Trademarks**

Lexmark and Lexmark with diamond design are trademarks of Lexmark International, Inc., registered in the United States and/or other countries.

PCL® is a registered trademark of the Hewlett-Packard Company.

All other trademarks are the property of their respective owners.

## **UNITED STATES GOVERNMENT RIGHTS**

This software and any accompanying documentation provided under this agreement are commercial computer software and documentation developed exclusively at private expense.

# Contents

<b>Edition notice</b> .....	<b>2</b>
<b>Introduction</b> .....	<b>5</b>
Understanding letters after model numbers.....	5
<b>Learning about the printer</b> .....	<b>6</b>
Finding information about the printer.....	6
<b>Printer Control Language (PCL) page formatting</b> .....	<b>7</b>
Printable areas.....	7
Supported paper and envelope dimensions.....	8
<b>Printer Job Language (PJM)</b> .....	<b>11</b>
PJM commands information.....	11
<b>PostScript (PS) emulation</b> .....	<b>12</b>
Paper sizes supported.....	12
PostScript paper tray support.....	13
PostScript envelope size support.....	14
PostScript envelope tray support.....	15
<b>Printer specifications</b> .....	<b>17</b>
Airflow requirement.....	17
Noise emission levels.....	17
Electrical specifications.....	18
Power requirements.....	18
Physical specifications.....	19
Clearance requirements.....	20
Environmental conditions.....	20
Altitude specifications and atmospheric pressure.....	21
<b>Appendix A: PCL support</b> .....	<b>22</b>
PCL emulation commands.....	22
GL/2 commands.....	28

<b>Appendix B: PJI support</b> .....	<b>32</b>
Common variables for both printer languages.....	32
Printer-unique PJI variables for both printer languages.....	34
Common variables for PCL emulation.....	44
Printer-unique variables for PCL emulation.....	44
Common variables for PostScript emulation.....	45
Printer-unique variables for PostScript emulation.....	45
Printer-unique LRESOURCE variables.....	46
Status Readback commands.....	46
USTATUS unsolicited status variables.....	46
PJI messages for auto-continuable conditions.....	47
PJI messages for attendance conditions.....	53
PJI messages for paper handling.....	68
PJI messages for paper jams.....	70
Service errors.....	77
Device attendance messages.....	77
Lexmark-unique PJI commands.....	78
File and device protection commands.....	79
<b>Appendix C: PostScript support</b> .....	<b>80</b>
Supplemental operators.....	80
Page device parameters.....	83
User interpreter parameters.....	88
System interpreter parameters.....	89
Devices supported.....	92
Device parameters.....	94
PostScript message keys commands.....	104
<b>Index</b> .....	<b>105</b>

# Introduction

## Overview

This edition of the *Technical Reference* contains information about the following printers or multifunction printers (MFPs):

- E260
- E260d
- E260dn
- E360d
- E360dn
- E460dn
- E460dw
- X203n MFP
- X204n MFP

## Understanding letters after model numbers

Some Lexmark printers may have one or more letters after the model name to indicate printer features:

Acronym	Meaning
d	duplex <sup>1</sup>
e	e-Task (electronic task) touch-screen interface
f	finisher/stapler
h	high-capacity drawer
m	mailbox
n	network
t	additional tray <sup>2</sup>
tt	tandem tray module
w	wireless

<sup>1</sup> Duplex printing (two-sided printing) accomplished by means of an optional duplex unit or an internal duplex unit based on the product.

<sup>2</sup> The additional tray is part of a drawer.

# Learning about the printer

## Finding information about the printer

### Setup information

Description	Where to find
The <i>Setup</i> information gives you instructions for setting up the printer. Follow the set of instructions for local, network, or wireless, depending on what you need.	You can find the <i>Setup</i> information on the inside of the printer box or on the Lexmark Web site at <b>www.lexmark.com</b> .

### Help

Description	Where to find
The Help gives you instructions for using the software.	While in any Lexmark software program, click <b>Help, Tips &gt; Help</b> , or <b>Help &gt; Help Topics</b> .

### Customer support

Description	Where to find (North America)	Where to find (rest of world)
<b>Telephone support</b>	<p>Call us at</p> <ul style="list-style-type: none"> <li>• US: 1-800-332-4120 Monday–Friday (8:00 AM–11:00 PM ET) Saturday (Noon–6:00 PM ET)</li> <li>• Canada: 1-800-539-6275 Monday–Friday (8:00 AM–11:00 PM ET) Saturday (Noon–6:00 PM ET)</li> <li>• Mexico: 001-888-377-0063 Monday–Friday (8:00 AM–8:00 PM ET)</li> </ul> <p><b>Note:</b> Telephone numbers and support times may change without notice. For the most recent telephone numbers available, see the printed warranty statement that came with your printer.</p>	<p>Telephone numbers and support hours vary by country or region.</p> <p>Visit our Web site at <b>www.lexmark.com</b>. Select a country or region, and then select the Customer Support link.</p> <p><b>Note:</b> For additional information about contacting Lexmark, see the printed warranty that came with your printer.</p>
<b>E-mail support</b>	<p>For e-mail support, visit our Web site: <b>www.lexmark.com</b>.</p> <ol style="list-style-type: none"> <li>1 Click <b>SUPPORT &gt; Technical Support &gt; your printer type &gt; your printer model</b>.</li> <li>2 From the Support Tools section, click <b>e-Mail Support</b>.</li> <li>3 Complete the form, and then click <b>Submit Request</b>.</li> </ol>	<p>E-mail support varies by country or region, and may not be available in some instances.</p> <p>Visit our Web site at <b>www.lexmark.com</b>. Select a country or region, and then select the Customer Support link.</p> <p><b>Note:</b> For additional information about contacting Lexmark, see the printed warranty that came with your printer.</p>

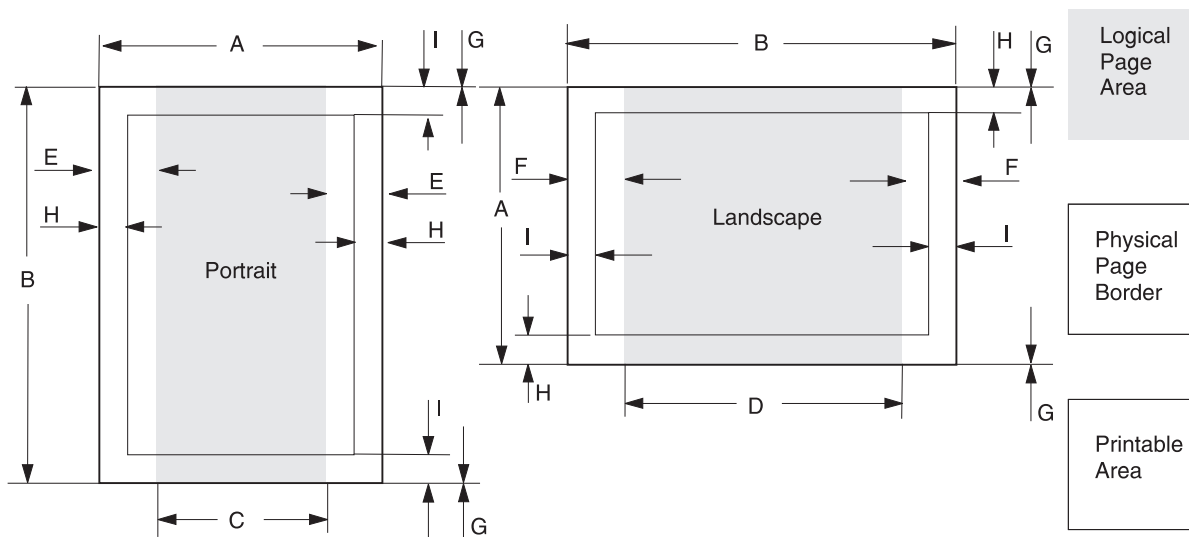
# Printer Control Language (PCL) page formatting

For more information on PCL, refer to the *Printer Languages and Interfaces Technical Reference*. It contains a complete listing with descriptions of PCL commands.

To determine which PCL commands your printer supports, see “Appendix A: PCL support” on page 22.

## Printable areas

The printable areas and logical pages for PCL emulation (both portrait and landscape orientation) are illustrated below. See the legend that follows for definitions of areas **A** through **I**.



Legend:	
<b>A</b>	Portrait physical page width and landscape physical page length
<b>B</b>	Portrait physical page length and landscape physical page width
<b>C</b>	Portrait logical page width
<b>D</b>	Landscape logical page width
<b>E</b>	Distance between the side edge of the physical page and the logical page in portrait
<b>F</b>	Distance between the side edge of the physical page and the logical page in landscape
<b>G</b>	Distance between the top and bottom edge of the physical page and logical page
<b>H</b>	Distance between the left and right edge of the physical page and the printable area in portrait, or distance between the top and bottom edge of the physical page and printable area in landscape

**Legend:**

<b>I</b>	Distance between the top and bottom edge of the physical page and the printable area in portrait, or distance between the left and right edge of the physical page and the printable area in landscape
----------	--

**Note:** The tables that follow in this chapter list the page sizes and dimensions of each area labeled on the preceding diagram for all paper and envelope sizes your printer supports.

## Supported paper and envelope dimensions

The following table lists the page sizes and print area dimensions for all supported paper and envelope sizes. For more information about the printable areas and logical pages for PCL emulation, see “Printable areas” on page 7.

Selection		Paper/envelope dimensions		Dimensions by area (pels) <sup>1</sup>								
Page size parameters <sup>2</sup>	Name	mm	inches	A	B	C	D	E	F	G	H	I
<b>Paper</b>												
13, 613	A5	148 x 210	5.83 x 8.27	3496	4960	3196	4720	142	118	0	100	100
12, 45, 612	JIS B5 Paper	182 x 257	7.2 x 10.1	4300	6070	4000	5830	150	120	0	100	100
26, 626	A4 (198 mm) <sup>3</sup>	210 x 297	8.3 x 11.7	4960	7014	4676	6778	142	118	0	80	100
26, 626	A4 (203 mm) <sup>3</sup>	210 x 297	8.3 x 11.7	4960	7014	4800	6778	80	118	0	80	100
24	A6	148 x 105	5.8 x 4.1	2480	3496	2196	3260	142	118	0	100	100
1, 601	Executive	184 x 267	7.25 x 10.5	4350	6300	4050	6060	150	120	0	100	100
2, 602	Letter	216 x 279	8.5 x 11	5100	6600	4800	6360	150	120	0	100	100

<sup>1</sup> Pel dimensions are for 600 dpi.

<sup>2</sup> Page Size Parameters are explained in the Page Control table in the PCL chapter in the *Printer Language and Interfaces Technical Reference*.

<sup>3</sup> The width of the logical page for A4 paper can be changed from the printer control panel or your software application.

<sup>4</sup> For the Universal paper size, the area dimensions are listed in pel ranges.

<sup>5</sup> Paper ID 99 will be supported for backward compatibility with other Lexmark printers. Paper ID 99 has the same logical paper size as ID 100 (compatible with HP LaserJet 5Si/5SiMx) but is 8 pels wider than the Lexmark 4039.

<sup>6</sup> This dimension applies only to the Lexmark X203n MFP and X204n MFP.

<sup>7</sup> This dimension applies only to the Lexmark E260, E260d/dn, E360d/dn, and E460dn/dw.

**Note:** The explanation of the printable area assumes the Print Area menu item is set to Normal. For more information, see “Print Area Menu Item” in the PCL chapter in the *Printer Language and Interfaces Technical Reference*.



Selection		Paper/envelope dimensions		Dimensions by area (pels) <sup>1</sup>								
Page size parameters <sup>2</sup>	Name	mm	inches	A	B	C	D	E	F	G	H	I
3, 603	Legal	216 x 356	8.5 x 14	5100	8400	4800	8160	150	120	0	100	100
4 or 10	Folio	216 x 330	8.5 x 13	5100	7800	4800	7560	150	120	0	100	100
15	Statement	139.7 x 215.9	5.5 x 8.5	3300	5100	3000	4860	150	120	0	100	100
101	Universal	216 x 356	8.5 x 14	1800-5100 <sup>4</sup>	1800-8502 <sup>4</sup>	1500-4800 <sup>4</sup>	1500-8262 <sup>4</sup>	150	120	0	100	100
300	Oficio (Mexico)	216 x 340	8.5 x 13.4	5100	8040	4800	7800	150	120	0	100	100
<b>Envelope</b>												
90	DL	220 x 110	8.66 x 4.33	2598	5196	2314	4960	142	118	0	100	100
91	C5	229 x 162	9.02 x 6.38	3826	5408	3542	5172	142	118	0	100	100
99 <sup>5</sup> , 100	B5 Envelope	250 x 176	9.84 x 6.93	4156	5904	3872	5668	142	118	0	100	100
600	Other Envelope	216 x 356	8.5 x 14	5100	8400	4800	8160	150	120	0	100	100
89	9 (Com 9)	225 x 98	8.875 x 3.875	2326 <sup>6</sup> / 2324 <sup>7</sup>	5324	2024	5084	150	120	0	100	100
81	10 (Com 10)	241 x 105	9.5 x 4.125	2474	5700	2174	5460	150	120	0	100	100

<sup>1</sup> Pel dimensions are for 600 dpi.

<sup>2</sup> Page Size Parameters are explained in the Page Control table in the PCL chapter in the *Printer Language and Interfaces Technical Reference*.

<sup>3</sup> The width of the logical page for A4 paper can be changed from the printer control panel or your software application.

<sup>4</sup> For the Universal paper size, the area dimensions are listed in pel ranges.

<sup>5</sup> Paper ID 99 will be supported for backward compatibility with other Lexmark printers. Paper ID 99 has the same logical paper size as ID 100 (compatible with HP LaserJet 5Si/5SiMx) but is 8 pels wider than the Lexmark 4039.

<sup>6</sup> This dimension applies only to the Lexmark X203n MFP and X204n MFP.

<sup>7</sup> This dimension applies only to the Lexmark E260, E260d/dn, E360d/dn, and E460dn/dw.

**Note:** The explanation of the printable area assumes the Print Area menu item is set to Normal. For more information, see "Print Area Menu Item" in the PCL chapter in the *Printer Language and Interfaces Technical Reference*.

Selection		Paper/envelope dimensions		Dimensions by area (pels) <sup>1</sup>								
Page size parameters <sup>2</sup>	Name	mm	inches	A	B	C	D	E	F	G	H	I
80	7 3/4 (Monarch)	98 x 191	3.875 x 7.5	2326 <sup>6</sup> / 2324 <sup>7</sup>	4510	2024	4260	150	120	0	100	100

<sup>1</sup> Pel dimensions are for 600 dpi.

<sup>2</sup> Page Size Parameters are explained in the Page Control table in the PCL chapter in the *Printer Language and Interfaces Technical Reference*.

<sup>3</sup> The width of the logical page for A4 paper can be changed from the printer control panel or your software application.

<sup>4</sup> For the Universal paper size, the area dimensions are listed in pel ranges.

<sup>5</sup> Paper ID 99 will be supported for backward compatibility with other Lexmark printers. Paper ID 99 has the same logical paper size as ID 100 (compatible with HP LaserJet 5Si/5SiMx) but is 8 pels wider than the Lexmark 4039.

<sup>6</sup> This dimension applies only to the Lexmark X203n MFP and X204n MFP.

<sup>7</sup> This dimension applies only to the Lexmark E260, E260d/dn, E360d/dn, and E460dn/dw.

**Note:** The explanation of the printable area assumes the Print Area menu item is set to Normal. For more information, see "Print Area Menu Item" in the PCL chapter in the *Printer Language and Interfaces Technical Reference*.

# Printer Job Language (PJM)

## PJM commands information

Your printer supports complete PJL commands, including certain commands that cause the printer to enter PCL emulation, PostScript emulation, and Personal Printer Data Stream (PPDS).

For a complete listing with descriptions of PJL commands, see the *Printer Languages and Interfaces Technical Reference*.

To determine which commands your printer supports, see “Appendix B: PJL support” on page 32.

# PostScript (PS) emulation

Your printer supports complete PostScript emulation supplemental operators. For full descriptions in detail for these operators, refer to the PostScript emulation chapter in the Printer Languages and Interfaces Technical Reference.

To determine which commands your printer supports, see “Appendix C: PostScript support” on page 80.

## Paper sizes supported

✓ = Supported X = Not supported Paper sizes					Printer models	
Size	Literal name	Size (mm)	Size (inches)	Size (points)	E260, E260d/ dn, E360d/ dn, E460dn/ dw	X203n MFP, X204n MFP
Letter	letter	215.9 x 279.4	8.5 x 11.0	612 x 792	✓	✓
Legal	legal	215.9 x 355.6	8.5 x 14.0	612 x 1008	✓	✓
JIS B5	b5*	182.0 x 257.0	7.2 x 10.1	516 x 729	✓	✓
A4	a4	210.0 x 297.0	8.3 x 11.7	595 x 842	✓	✓
Executive	executivepage	184.2 x 266.7	7.25 x 10.5	522 x 756	✓	✓
A5	a5	148.0 x 210.0	5.83 x 8.27	419 x 595	✓	✓
Oficio	oficio	215.9 x 340.4	8.5 x 13.4	612 x 965 (Lexmark-unique size) 612 x 972 (official Postscript size)	✓	✓
Folio	folio	215.9 x 330.2	8.5 x 13.0	612 x 936	✓	✓
Statement	statement	139.7 x 215.9	5.5 x 8.5	396 x 612	✓	✓
A6	a6	105.0 x 148.0	4.13 x 5.83	297 x 419	✓	X
Universal	universal	216 x 356	8.5 x 14	612 x 1008	✓	✓
Custom	custom	215.9 x 355.6	8.5 x 14.0	612 x 1020	X	X
Custom	custom	297 x 431.8	11.7 x 17	842 x 1224	X	X
Custom	custom	320 x 559	12.6 x 22	908 x 1584	X	X
Custom	custom	297 x 914	11.7 x 36	842 x 2592	X	X

\* This is a Japanese Industry Standard (JIS) paper size. The same named designation is used by JIS and International Standards Organization (ISO) for different paper sizes.

# PostScript paper tray support

When the printer receives one of the operators listed in “Tray selected with tray operators” on page 13, it performs the actions listed as follows. This paper tray selection process ends as soon as a suitable paper source is chosen and paper is fed from this tray.

- The printer checks the value of **manualfeed** in **statusdict** and the ManualFeed page device parameter. If either one is true, the printer sends a message to load the requested size in the manual feed tray or multipurpose feeder.
- The PageSize Policy is set to 2 by means of **setpagedevice**.
- The printer checks the paper size loaded in the current active source to determine if it matches the requested size. If the sizes match, the paper is fed from the active source.

**Note:** The current active tray is the last source that was selected from the printer control panel or by the printer language.

- If the requested size and the size loaded in the active source do not match, the sources are searched in the order defined by the Priority array in the InputAttributes dictionary in the pagedevice dictionary.
- If the requested media size is not found by the previous search, the following search order is used:
  - Tray 1
  - Multipurpose Feeder/Manual Feeder
- If the requested size cannot be located in any automatic source, a **configurationerror** is issued and the job is flushed.

For printers that support automatic duplexing:

- Automatic duplexing is not supported for custom-size paper or for envelopes in the multipurpose feeder. Automatic duplexing is supported from the multipurpose feeder for all other papers.
- If the paper source is changed before the back side of a duplexed page prints, a blank back page prints, the paper source changes, and the information for the back side of the page is printed on the front side of a page sent from the new paper source.

When these operators are used, it is equivalent to executing the following PostScript emulation sequence:

```
<< /PageSize [x y]/ImagingBBox null /Policies << /PageSize 2>> >>
setpagedevice
```

where *xy* are the PageSize in points.

## Tray selected with tray operators

✓ = Supported X = Not supported		Printer models	
Operator	Tray selected (corresponding image size is set)	E260, E260d/dn, E360d/dn, E460dn/dw	X203n MFP, X204n MFP
a3tray	tray with A3-size paper	X	X
a4tray	tray with A4-size paper	✓	✓
a5tray	tray with A5-size paper	✓	✓
b4tray	tray with B4-size paper	X	X
b5tray	tray with B5-size paper	✓	✓

✓ = Supported X = Not supported		Printer models	
Operator	Tray selected (corresponding image size is set)	E260, E260d/dn, E360d/dn, E460dn/dw	X203n MFP, X204n MFP
customtray	tray with custom-size paper	X	X
executivetray	tray with executive-size paper	✓	✓
foliotray	tray with folio-size paper	✓	✓
ledgertray	tray with ledger-size paper	X	X
legaltray	tray with legal-size paper	✓	✓
lettertray	tray with letter-size paper	✓	✓
oficiotray	tray with oficio-size paper	✓	✓
statementtray	tray with statement-size paper	✓	✓
11x17tray	tray with 11 x 17-inch paper	X	X

## PostScript envelope size support

The literal names in “Envelope sizes supported” on page 14 are also supported as operators in **userdict**. These operators change the image size, but do not change the active paper source. Therefore, when these operators are used, part of the image may be clipped.

When these literal names are used as operators, it is equivalent to executing the following PostScript emulation sequence. The following example uses a 3.875 x 7.5 envelope.

```
<</Policies <</PageSize 7>> /PageSize [279 540]>> >>setpagedevice
```

### Envelope sizes supported

✓ = Supported X = Not supported Envelope sizes					Printer models	
Size name	Literal name	Size (mm)	Size (inches)	Size (points)	E260, E260d/dn, E360d/dn, E460dn/dw	X203n MFP, X204n MFP
7 3/4	3.875x7.5envelope	98.4 x 190.5	3.875 x 7.5	279 x 540	✓	✓
Commercial 9	3.875x8.875envelope	98.4 x 225.4	3.875 x 8.875	279 x 639	✓	✓
Commercial 10	4.125x9.5envelope	104.8 x 241.3	4.125 x 9.5	297 x 684	✓	✓
International DL	110x220envelope	110 x 220	4.33 x 8.66	312 x 624	✓	✓

\* For other envelopes, the page is formatted to 216 x 356 mm (8.5 x 14 in.) unless a size is specified by your software program.

✓ = Supported X = Not supported Envelope sizes					Printer models	
Size name	Literal name	Size (mm)	Size (inches)	Size (points)	E260, E260d/dn, E360d/dn, E460dn/dw	X203n MFP, X204n MFP
International C5	162x229envelope	162 x 229	6.38 x 9.01	459 x 649	✓	✓
International B5	176x250envelope	176 x 250	6.93 x 9.84	499 x 708	✓	✓
Other envelope	otherenvelope	296.93 x 427.48	11.69 x 16.83	841 x 842	X	X
otherenvelope*	Other	229.11 x 355.6	9.02 x 14	612 x 996	✓	✓

\* For other envelopes, the page is formatted to 216 x 356 mm (8.5 x 14 in.) unless a size is specified by your software program.

## Literal names supported

✓ = Supported X = Not Supported Literal names		Printer models	
Literal name	Compatible literal name	E260, E260d/dn, E360d/dn, E460dn/dw	X203n MFP, X204n MFP
monarchenvelope	3.875x7.5envelope	✓	✓
com9envelope	4.125x9.5envelope	✓	✓
com10envelope	4.125x9.5envelope	✓	✓
dlenvelope	110x220envelope	✓	✓
c5envelope	162x229envelope	✓	✓
b5envelope	176x250envelope	X	X

## PostScript envelope tray support

If **manualfeed** in **statusdict** and the ManualFeed page device parameter are false when the printer receives one of the envelopetray operators listed in “Envelopetray operator selections” on page 16, then the printer:

- Sets the PageSize Policy to 0.
- Checks the active source to see if it matches the requested envelope size. If the sizes match, the envelope is fed from the active source.
 

**Note:** The active source is the last source selected from the printer control panel or data stream.
- If the requested size and the size loaded in the active source do not match, the sources are searched in the order defined by the Priority array in the InputAttributes dictionary in the pagedevice dictionary.

- If the requested size and type are not available from any automatic source, you are prompted to load the requested envelope size and type in the manual feed source.
- If the size is still not available, a **configurationerror** is issued and the print job is flushed.

If manualfeed or ManualFeed is true, the printer prompts you to load the requested size manually. If no manual feed exists on the printer, a **rangecheck** error message is generated

The envelope tray the printer selects when it receives an **envelopetray** operator is listed in “Envelopetray operator selections” on page 16. These operators are equivalent to executing the following PostScript emulation sequence:

```
<</PageSize [x y] /ImagingBBox null /Policies<</PageSize 0>> >>
setpagedevice
```

where **xy** is the PageSize in points.

## Envelopetray operator selections

✓ = Supported X = Not supported Tray operators		Printer models	
Operator	Tray selected (Corresponding image size is set)	E260, E260d/dn, E360d/dn, E460dn/dw	X203n MFP, X204n MFP
110x220envelopetray	tray with 110 x 220 size envelopes	✓	✓
dlenvelopetray	tray with 110 x 220 size envelopes	✓	✓
162x229envelopetray	tray with 162 x 229 size envelopes	✓	✓
c5envelopetray	tray with 162 x 229 size envelopes	✓	✓
176x250envelopetray	tray with 176 x 250 size envelopes	✓	✓
b5envelopetray	tray with 176 x 250 size envelopes	✓	✓
3.875x7.5envelopetray	tray with 3.875 x 7.5 size envelopes	✓	✓
monarcenvelopetray	tray with 3.875 x 7.5 size envelopes	✓	✓
3.875x8.875envelopetray	tray with 3.875 x 8.875 size envelopes	✓	✓
4.125x9.5envelopetray	tray with 4.125 x 9.5 size envelopes	✓	✓
com10envelopetray	tray with 4.125 x 9.5 size envelopes	✓	✓
otherenvelopetray	tray with other size envelopes	✓	✓



# Printer specifications

This chapter lists printer specifications and information about hardware, environmental conditions, and power requirements.

## Airflow requirement

The room should meet ASHRAE 62—1989 standards.

## Noise emission levels

The following measurements were made in accordance with ISO 7779 and reported in conformance with ISO 9296.

Status	1-meter average sound pressure, dBA				
	E260/E260d/E260dn	E360d/E360dn	E460dn/E460dw	X203n	X204n
Printing simplex	53	53	53	51	50
Printing duplex	52	52	52	Inapplicable	Inapplicable
Scanning	Inapplicable	Inapplicable	Inapplicable	48	50
Copying	Inapplicable	Inapplicable	Inapplicable	48	50
Quiet Mode printing	48	49	49	47	47
Standby (Idle without Power Saver)	Inaudible	Inaudible	Inaudible	23	24

**Note:** Measurements apply to 300-dpi, 600-dpi, and 1200-dpi printing.

Status	Declared sound power level, Bels				
	E260/E260d/E260dn	E360d/E360dn	E460dn/E460dw	X203n	X204n
Printing (simplex and mono)	6.7	6.8	6.7	6.5	6.4
Idle (Standby mode)	Inaudible	Inaudible	Inaudible	3.9	3.9
Scanning	Inapplicable	Inapplicable	6.2	6.2	6.5
Copying	Inapplicable	Inapplicable	Inapplicable	6.2	6.4
Quiet Mode printing	6.3	6.3	6.3	6.1	6.1

**Note:** Measurements apply to 300-dpi, 600-dpi, and 1200-dpi printing.

# Electrical specifications

## E260, E260d/dn, E360d/E360dn, and E460dn/E460dw

Printer model	Electrical specification
Low voltage models <sup>1,2</sup>	110–127 V at 50–60 Hz (+/- 3), nominal 90–137 V, extreme
High voltage models <sup>1,2</sup>	220–240 V at 50–60 Hz (+/- 3), nominal (not available in all countries) 198–259 V, extreme
Other voltage models (Japan) <sup>1,2</sup>	90–110 V at 50–60 Hz (+/-3), nominal 90–110 V, extreme

<sup>1</sup> Using a 220–110 power converter with a 110–V printer is not recommended.  
<sup>2</sup> Using an inverter (12 V DC to 120 V AC, for example) to power the printer is not recommended.

## X203n MFP and X204n MFP

Printer model	Electrical specification
Low voltage model*	100–127 V at 50–60 Hz (+/-3), nominal 90–137 V, extreme
High voltage model*	220–240 V at 50–60 Hz (+/-3), nominal 198–259 V, extreme

\* Using a 220–110 power converter with 110 V printer is not recommended.

**Warning—Potential Damage:** Lexmark recommends that you do not use voltage converters with printers.

# Power requirements

The following tables list the nominal average power requirements (including fuser power).

## Lexmark E260, E360, and E460 models nominal average power requirements

Printing states	E260/E260d/E260dn	E360d/E360dn/E460dn	E460dw
<b>Average power while printing continuously</b>			
1-sided (simplex)	470 W	500 W	500 W
2-sided (duplex)	290 W	310 W	310 W
<b>Average power while idle</b>			
Power Saver on	11 W	11 W	13 W
Ready mode	12 W	12 W	14 W
<b>Max current while printing</b>			
100 V	9.1 A	9.5 A	9.5 A
120 V	9.1 A	9.5 A	9.5 A
230 V	4.5 A	4.5 A	4.5 A

Printing states	E260/E260d/E260dn	E360d/E360dn/E460dn	E460dw
<b>Average current while printing</b>			
100 V	8.6 A	8.6 A	8.6 A
120 V	7.6 A	7.6 A	7.6 A
230 V	3.7 A	3.7 A	3.7 A

### Lexmark X203n MFP and X204n MFP nominal average power requirements

Printing states	X203n and X204n
Off	0 W
Power Saver Mode on	<11 W
Standby Mode	<55 W
Simplex printing (one-sided printing)	< or = 350 W
Copying continuously	< or = 305 W
Scanning continuously	< or = 65 W
<b>Maximum current while printing</b>	
120 V	<6.2 A RMS
230 V	<3.4 A RMS

## Physical specifications

### Lexmark E260, E260d/dn, E360d/dn, and E460dn/dw dimensions

Physical dimensions	Depth	Width	Height	Weight <sup>1</sup>
All printers <sup>2</sup>	369.5 mm (14.55 in.) <sup>3</sup>	406 mm (15.98 in.)	259.5 mm (10.2 in.) <sup>3</sup>	Refer to the table below.
250-sheet drawer	367 mm (14.45 in.) <sup>4</sup>	406 mm (15.98 in.)	89 mm (3.5 in.)	2.55 kg (5.6 lb)
550-sheet drawer	387 mm (15.24 in.) <sup>4</sup>	406 mm (15.98 in.)	130.5 mm (5.08 in.)	3.23 kg (7.2 lb)
All printers with 250-sheet drawer	369.5 mm (14.55 in.) <sup>3,4</sup>	406 mm (15.98 in.)	347 mm (13.7 in.) <sup>3,5</sup>	16.6 kg (36.52 lb)
All printers with 550-sheet drawer	387 mm (15.24 in.) <sup>3,4</sup>	406 mm (15.98 in.)	388.5 mm (15.3 in.) <sup>3,5</sup>	17.28 kg (38.02 lb)

<sup>1</sup> Combined weight is based on the heaviest model (E460dw).

<sup>2</sup> Printer weight includes the print cartridge which ships inside the printer.

<sup>3</sup> Measured with multipurpose feeder extension and the paper stop in the standard exit bin in collapsed or closed positions.

<sup>4</sup> Measured with the paper size set to Letter.

<sup>5</sup> Total height of all printers installed on an optional drawer (250 or 550) is 1.5 mm (0.1 in.); this is shorter than the combined height of the individual items due to the interlocking fit of the printer and drawer.

Printer weight	E260/E260d/E260dn	E360d/E360dn	E460dn	E460dw
Without the print cartridge and photoconductor unit shipped with the printer	12.0 kg (26.4 lb)	12.3 kg (27.06 lb)	12.5 kg (27.5 lb)	12.52 kg (27.54 lb)
With the print cartridge and photoconductor unit shipped with the printer	13.53 kg (29.77 lb)	13.83 kg (30.43 lb)	14.03 kg (30.87 lb)	14.05 kg (30.91 lb)

## Lexmark X203n MFP and X204n MFP dimensions

Option name	Height	Width	Depth	Weight*
X203n MFP	340.6 mm (13.4 in.)	401.2 mm (15.8 in.)	356.7 mm (14 in.)	13.4 kg (29.5 lb)
X204n MFP	384.5 mm (15.1 in.)	401.2 mm (15.8 in.)	356.7 mm (14 in.)	14.6 kg (32.2 lb)

\* The weight includes the print cartridge and photoconductor unit which are shipped inside the printer.

## Clearance requirements

Model	Left side	Right side	Front	Rear	Top
E260, 260d/dn, E360d/dn, E460dn/dw	12.7 mm (0.5 in.)	300 mm (12 in.)	200 mm (8 in.)	300 mm (12 in.)	300 mm (12 in.)
X203n MFP, X204n MFP	152.4 mm (6 in.)	304.8 mm (12 in.)	406.4 mm (16 in.)	152.4 mm (6 in.)	304.8 mm (12 in.)*

**Note:** When the printer or MFP is installed, allow enough room to access trays, multipurpose feeders, and output bins.

\* This amount is needed in addition to the ADF paper support height on the X204n MFP.

## Environmental conditions

**Note:** When shipping or storing printers, always pack the printer supplies (cartridges and photoconductors, for example) separately.

### Air temperature ranges

Printer model	Operating value	Storage and shipping value (packed)	Storage and shipping value (unpacked)
E260, E260d/dn, E360d/dn, E460dn/dw	15.6–32.2°C (60–90°F)	-20–40°C (-4–104°F)	0–40°C (32–104°F)
X203n/X204n	15.6–32.2°C (60–90°F)	-40–69°C (-40–140°F)	0–40°C (32–104°F)

## Humidity ranges

E260, E260d/dn, E360d/dn, E460dn/dw	up to 80% for temperatures less than 25.5°C (78°F)	8%–95%	8%–80%
X203n/X204n	up to 80% for temperatures less than 25.5°C (78°F)	8%–95%	8%–80%
* Approaching 32°C (90°F) the maximum relative humidity is 60%.			

## Altitude specifications and atmospheric pressure

### Altitude specifications

Printer model	Altitude (above sea level)	
	Operating	Shipping/storage environment (packed)
E260, E260d/dn, E360d/dn, E460dn/dw	0–2500 M (8,200 ft.)	0.25 atmospheric pressure (equal to 10,300 M [34,000 ft.]
X203n MFP, X204n MFP	0–3048 M (10,000 ft.)	Less than 10,300 M (34,000 ft.)

### Atmospheric pressure

74.6 kPa

# Appendix A: PCL support

## PCL emulation commands

✓ = Supported X = Not supported		Printer model	
Command	Function	E260, E260d/dn, E360d/dn, E460dn/dw	X203n MFP, X204n MFP
Decimal 8	BS, Backspace	✓	✓
Decimal 9	HT, Horizontal Tab	✓	✓
Decimal 10	LF, Line Feed	✓	✓
Decimal 12	FF, Form Feed	✓	✓
Decimal 13	CR, Carrier Return	✓	✓
Decimal 14	SO, Select Secondary Font	✓	✓
Decimal 15	SI, Select Primary Font	✓	✓
Decimal 32	SP, Space	✓	✓
ESC $\mathbb{E}$	Printer Reset	✓	✓
ESC $\mathbb{Y}$	Display Functions-On	✓	✓
ESC $\mathbb{Z}$	Display Functions-Off	✓	✓
ESC $\mathbb{z}$	Print Test Page	X	X
ESC&a#C	Horizontal Cursor Position (in Columns)	✓	✓
ESC&a#G	Duplex Page Side Selection	✓	✓
ESC&a#H	Horizontal Cursor Position (in Decipoints)	✓	✓
ESC&a#L	Set Left Margin	✓	✓
ESC&a#M	Set Right Margin	✓	✓
ESC&a#N	Negative Motion	X	X
ESC&a#P	Print Direction	✓	✓
ESC&a#R	Vertical Cursor Position (in Rows)	✓	✓
ESC&a#V	Vertical Cursor Position (in Decipoints)	✓	✓

✓ = Supported X = Not supported		Printer model	
Command	Function	E260, E260d/dn, E360d/dn, E460dn/dw	X203n MFP, X204n MFP
ESC&b#M	Monochrome Print Mode	✓	✓
ESC&b#W[data]	Configuration Command	X	X
ESC&c#T	Character Text Path Direction	✓	✓
ESC&d@	Underline-Disable	✓	✓
ESC&d#A	Number of Collated Copies	✓	✓
ESC&d#D	Underline-Enable	✓	✓
ESC&f#F	Set Universal Height	✓	✓
ESC&f#G	Set Universal Width	✓	✓
ESC&f#O	Set Universal Feed Direction	✓	✓
ESC&f#W	Set Universal Custom Name	✓	✓
ESC&f#S	Push / Pop Cursor Position	✓	✓
ESC&f#X	Macro Control	✓	✓
ESC&f#Y	Set Macro ID	✓	✓
ESC&k#G	Set Line Termination	✓	✓
ESC&k#H	Set Horizontal Motion Index	✓	✓
ESC&k#S	Select Primary and Secondary Pitch	✓	✓
ESC&k#W	Text Scale Mode	X	X
ESC&l#A	Set Page Size	✓	✓
ESC&l#C	Set Vertical Motion Index	✓	✓
ESC&l#D	Set Line Spacing	✓	✓
ESC&l#E	Set Top Margin	✓	✓
ESC&l#F	Set Text Length	✓	✓
ESC&l#G	Set Output Bin	✓	✓
ESC&l#H	Paper Source	✓	✓
ESC&l#L	Skip Perforation	✓	✓
ESC&l#O	Select Orientation	✓	✓

✓ = Supported X = Not supported		Printer model	
Command	Function	E260, E260d/dn, E360d/dn, E460dn/dw	X203n MFP, X204n MFP
ESC&l#M(b)	Paper Type	X	X
ESC&l#P	Set Page Length	✓	✓
ESC&l#S	Simplex/Duplex Print	✓	✓
ESC&l#U	Long-Edge Offset Registration	✓	✓
ESC&l#X	Number of Copies	✓	✓
ESC&l#Z	Short-Edge Offset Registration	✓	✓
ESC&l1T	Job Separation	X	X
ESC&n#W [operation] [string id]	Alphanumeric ID	✓	✓
ESC&p#C	Palette Control	✓	✓
ESC&p#I	Palette Control ID	✓	✓
ESC&p#S	Select Palette	✓	✓
ESC&p#X[data]	Transparent Print Data	✓	✓
ESC&r#F	Flush All Pages	✓	✓
ESC&s#C	End-Of-Line Text Wrap	✓	✓
ESC&t#P	Text Parsing Method	✓	✓
ESC&u#D	Unit of Measure	✓	✓
ESC(#	Primary Font Symbol Set	✓	✓
ESC(#X	Select Primary Download Font (by Font ID)	✓	✓
ESC(3@	Select Default Primary Font	✓	✓
ESC(f#W[data]	Define Symbol Set	✓	✓
ESC(s#B	Primary Font Stroke Weight	✓	✓
ESC(s#H	Primary Font Pitch	✓	✓
ESC(s#P	Primary Font Spacing	✓	✓
ESC(s#S	Primary Font Style	✓	✓
ESC(s#T	Primary Font Typeface Selection	✓	✓



✓ = Supported X = Not supported		Printer model	
Command	Function	E260, E260d/dn, E360d/dn, E460dn/dw	X203n MFP, X204n MFP
ESC(s#V	Primary Font Height (Point Size)	✓	✓
ESC(s#W[data]	Load Character	✓	✓
ESC)#	Secondary Font Symbol Set	✓	✓
ESC)#X	Select Secondary Download Font (by Font ID)	✓	✓
ESC)3@	Select Default Secondary Font	✓	✓
ESC)s#B	Secondary Font Stroke Weight	✓	✓
ESC)s#H	Secondary Font Pitch	✓	✓
ESC)s#P	Secondary Font Spacing	✓	✓
ESC)s#S	Secondary Font Style	✓	✓
ESC)s#T	Secondary Font Typeface Selection	✓	✓
ESC)s#V	Secondary Font Height (Point Size)	✓	✓
ESC)s#W[data]	Load Font Header	✓	✓
ESC*b#M	Set Raster Compression Mode	✓	✓
ESC*b#V[data]	Transfer Raster Data (by Plane)	✓	✓
ESC*b#W[data]	Transfer Raster Data (by Row / Block)	✓	✓
ESC*b#Y	Y Offset	✓	✓
ESC*c#A	Horizontal Rectangle Size (in PCL Units)	✓	✓
ESC*c#B	Vertical Rectangle Size (in PCL Units)	✓	✓
ESC*c#D	Set Font ID	✓	✓
ESC*c#E	Set Character Code	✓	✓
ESC*c#F	Font Control	✓	✓
ESC*c#G	Area Fill ID	✓	✓
ESC*c#H	Horizontal Rectangle Size (in Decipoints)	✓	✓
ESC*c#K	GL/2 Horizontal Plot Size (in Inches)	✓	✓

## Appendix A: PCL support

✓ = Supported X = Not supported		Printer model	
		E260, E260d/dn, E360d/dn, E460dn/dw	X203n MFP, X204n MFP
Command	Function		
ESC*c#L	GL/2 Vertical Plot Size (in Inches)	✓	✓
ESC*c#P	Fill Rectangular Area	✓	✓
ESC*c#Q	Pattern Control	✓	✓
ESC*c#R	Symbol Set ID Code	✓	✓
ESC*c#S	Symbol Set Control	✓	✓
ESC*c0T	Set Picture Frame Anchor Point	✓	✓
ESC*c#V	Vertical Rectangle Size (in Decipoints)	✓	✓
ESC*c#W[data]	User-Defined Pattern	✓	✓
ESC*c#X	Picture Frame Horizontal Size (in Decipoints)	✓	✓
ESC*c#Y	Picture Frame Vertical Size (in Decipoints)	✓	✓
ESC*l#O	Logical Operation	✓	✓
ESC*l#R	Pixel Placement	✓	✓
ESC*l#W[data]	Color Lookup Tables	X	X
ESC*m#W[data]	Download Dither Matrix	✓	✓
ESC*o#M(b)	Print Quality	X	X
ESC*o#Q	Mechanical Print Quality	X	X
ESC*o#W[data]	Driver Configuration Command	✓	✓
ESC*p#P	Push / Pop Palette	✓	✓
ESC*p#R	Set Pattern Reference Point	✓	✓
ESC*p#X	Horizontal Cursor Position (in PCL Units)	✓	✓
ESC*p#Y	Vertical Cursor Position (in PCL Units)	✓	✓
ESC*r#A	Start Raster Graphics	✓	✓
ESC*r#F	Raster Graphics Presentation Mode	✓	✓
ESC*r#S	Raster Width (Source)	✓	✓

✓ = Supported X = Not supported		Printer model	
		E260, E260d/dn, E360d/dn, E460dn/dw	X203n MFP, X204n MFP
Command	Function		
ESC*r#T	Raster Height (Source)	✓	✓
ESC*r#U	Simple Color	✓	✓
ESC*rB	End Raster Graphics (Version B)	✓	✓
ESC*rC	End Raster Graphics (Version C)	✓	✓
ESC*s#I	Inquire Status Readback Entity	✓	✓
ESC*s1M	Free Space	✓	✓
ESC*s#T	Set Status Readback Location Type	✓	✓
ESC*s#U	Set Status Readback Location Unit	✓	✓
ESC*s#X	Echo	✓	✓
ESC*t#H	Raster Width Destination	✓	✓
ESC*t#I	Gamma Correction	✓	✓
ESC*t#J	Render Algorithm	X	X
ESC*t#K	Scale Algorithm	X	X
ESC*t#R	Raster Resolution	✓	✓
ESC*t#V	Raster Height Destination	✓	✓
ESC*g#W	Set Raster Configuration	X	X
ESC*v#A	Color Component One	✓	✓
ESC*v#B	Color Component Two	✓	✓
ESC*v#C	Color Component Three	✓	✓
ESC*v#I	Assign Color Index	✓	✓
ESC*v#N	Source Transparency Mode	✓	✓
ESC*v#O	Pattern Transparency Mode	✓	✓
ESC*v#S	Foreground Color	✓	✓
ESC*v#T	Select Current Pattern	✓	✓
ESC*v#W[data]	Configure Image Data	✓	✓
ESC*i#W[data]	Viewing Illuminant	X	X

√ = Supported X = Not supported		Printer model	
Command	Function	E260, E260d/dn, E360d/dn, E460dn/dw	X203n MFP, X204n MFP
ESCg	Clear Horizontal Margins	√	√
ESC=	Half Line-Feed	√	√
ESC%#A	Enter PCL Emulation	√	√
ESC%#B	Enter GL/2 Language <b>Note:</b> The values of -1, 2, and 3 are not supported by any of the printers included in this document.	√	√
ESC% 12345X	Universal Exit Language (UEL) / Start of PJJ	√	√

## GL/2 commands

√ = Supported X = Not supported		Printer model	
Command	Function	E260, E260d/dn, E360d/dn, E460dn/dw	X203n MFP, X204n MFP
AA	Arc Absolute	√	√
AC	Anchor Corner	√	√
AD	Define Alternate Font	√	√
AR	Arc Relative	√	√
AT	Arc Absolute Three Point	√	√
BR	Bezier Relative	√	√
BZ	Bezier Absolute	√	√
CF	Character Fill	√	√
CI	Circle	√	√
CO	Comment	√	√
CP	Character Plot	√	√
CR	Set Color Range	√	√
1 Lexmark Unique command			

✓ = Supported X = Not supported		Printer model	
Command	Function	E260, E260d/dn, E360d/dn, E460dn/dw	X203n MFP, X204n MFP
DF	Default	✓	✓
DI	Absolute Direction	✓	✓
DR	Relative Direction	✓	✓
DT	Define Label Terminator	✓	✓
DV	Define Variable Text Path	✓	✓
EA	Edge Rectangle Absolute	✓	✓
EP	Edge Polygon	✓	✓
ER	Edge Rectangle Relative	✓	✓
ES	Extra Space	✓	✓
EW	Edge Wedge	✓	✓
FI	Primary Font	✓	✓
FN	Secondary Font	✓	✓
FP	Fill Polygon, Odd/Even	✓	✓
FP	Fill Polygon, Non-Zero Winding	✓	✓
FT <sup>1</sup>	Fill Type	✓	✓
FT	Fill Type - 22	✓	✓
FT	Fill Type - 9	✓	✓
IN	Initialize	✓	✓
IP	Input P1 and P2	✓	✓
IR	Input Relative P1 and P2	✓	✓
IW	Input Window	✓	✓
LA	Line Attributes	✓	✓
LB	Label, Default Terminator = '03'x	✓	✓
LO	Label Origin	✓	✓
LT	Line Type	✓	✓

1 Lexmark Unique command

✓ = Supported X = Not supported		Printer model	
Command	Function	E260, E260d/dn, E360d/dn, E460dn/dw	X203n MFP, X204n MFP
MC	Logical Operation	✓	✓
NP	Number of Pens	✓	✓
PA	Plot Absolute	✓	✓
PC	Set Pen Color	✓	✓
PD	Pen Down	✓	✓
PE	Polyline Encoded	✓	✓
PM	Polygon Mode	✓	✓
PP	Pixel Placement	✓	✓
PR	Plot Relative	✓	✓
PU	Pen Up	✓	✓
PW	Pen Width	✓	✓
RA	Fill Rectangle Absolute	✓	✓
RF	Define Raster Fill	✓	✓
RO	Rotate Coordinate System	✓	✓
RR	Fill Rectangle Relative	✓	✓
RT	Arc Relative Three Point	✓	✓
SA	Select Alternate Font	✓	✓
SB	Scalable/Bitmapped Fonts	✓	✓
SC	Scale	✓	✓
SD	Define Standard Font	✓	✓
SI	Absolute Character Size	✓	✓
SL	Character Slant	✓	✓
SM	Symbol Mode	✓	✓
SP	Select Pen	✓	✓
SR	Relative Character Size	✓	✓
1 Lexmark Unique command			

✓ = Supported X = Not supported		Printer model	
Command	Function	E260, E260d/dn, E360d/dn, E460dn/dw	X203n MFP, X204n MFP
SS	Select Standard Font	✓	✓
SV <sup>1</sup>	Screened Vectors	✓	✓
TD	Transparent Data	✓	✓
TM <sup>1</sup>	Threshold Matrix	✓	✓
TR	Transparency Mode	✓	✓
UL	User Defined Line	✓	✓
WG	Wedge Fill	✓	✓
WU	Pen Width Units	✓	✓
1 Lexmark Unique command			

# Appendix B: PJI support

## Common variables for both printer languages

Variable name	Printer model	
	E260, E260d/dn, E360d/dn, E460dn/dw	X203n MFP, X204n MFP
AUTOCONT	✓	✓
AUTOSELECT	x	x
BINDING	✓	x
BITSPERPIXEL	✓	✓
CLEARABLEWARNINGS	✓	✓
CONTEXTSWITCH	x	x
COPIES	✓	✓
CPLOCK	✓	✓
DENSITY	✓	✓
DISKLOCK	x	x
DUPLEX	✓	x
ECONOMODE	✓	✓
FORMATTERNUMBER	x	✓
FORMLINES	✓	✓
HELDJOBTIMEOUT	✓	x
HOLD	✓	x
HOLDKEY	✓	x
HOLDTYPE	✓	x
IMAGEADAPT	x	x
INTRAY1	x	x
INTRAY2	✓	x
INTRAY3	✓	x
INTRAY4	✓	x



Variable name	Printer model	
	E260, E260d/dn, E360d/dn, E460dn/dw	X203n MFP, X204n MFP
INTRAY5	✓	X
INTRAY1SIZE	✓	✓
INTRAY2SIZE	✓	X
INTRAY3SIZE	✓	X
INTRAY4SIZE	✓	X
INTRAY5SIZE	✓	X
IOBUFFER	X	X
IOSIZE	X	X
JOBATTR	X	X
JOBNAME	✓	✓
JOBOFFSET	X	X
LANG	✓	✓
LOWTONER	✓	✓
MANUALFEED	✓	✓
MEDIASOURCE	X	X
MEDIATYPE	✓	✓
MPTRAY	✓	X
ORIENTATION	✓	✓
OUTBIN	✓	✓
PAGEPROTECT	✓	X
PAPER	✓	✓
PARALLEL	✓	X
PASSWORD	✓	✓
PERSONALITY	✓	✓
POWERSAVE	✓	✓
POWERSAVETIME	✓	✓
PRINTQUALITY	X	X

Variable name	Printer model	
	E260, E260d/dn, E360d/dn, E460dn/dw	X203n MFP, X204n MFP
QTY	✓	✓
RENDERMODE	x	x
REPRINT	✓	✓
RESOLUTION	✓	✓
RESOURCESAVE	✓	x
RESOURCESAVESIZE	x	x
RET	x	x
TIMEOUT	✓	✓
USERNAME	✓	x
WIDEA4	✓	✓

## Printer-unique PJI variables for both printer languages

Variable name	Printer model	
	E260, E260d/dn, E360d/dn, E460dn/dw	X203n MFP, X204n MFP
LACTIVEBINRESET	x	x
LADVANCEDSTATUS	✓	x
LALARMCONTROL	x	✓
LASSIGNFEEDER	x	x
LAUTOCRLF	✓	✓
LAUTOLFCR	✓	✓
LBAYERSCREENLIMIT	✓	✓
LBLANKPAGES	✓	✓
LBONDLENGTH	x	x
LBONDLOADING	✓	x

<b>✓ = Supported</b> <b>X = Not supported</b>	Printer model	
	E260, E260d/dn, E360d/dn, E460dn/ dw	X203n MFP, X204n MFP
Variable name		
LBONDOUTBIN	X	X
LBONDTEXTURE	✓	✓
LBONDWEIGHT	✓	✓
LBOTTOMMARGINOFFSET	✓	X
LBWLOCK	X	X
LCANCEL	✓	✓
LCARDSTOCKLENGTH	X	X
LCARDSTOCKLOADING	X	X
LCARDSTOCKOUTBIN	X	X
LCARDSTOCKTEXTURE	✓	✓
LCARDSTOCKWEIGHT	✓	✓
LCOLLATION	✓	✓
LCOLORBALANCEBLACK	X	X
LCOLORBALANCECYAN	X	X
LCOLORBALANCEMAGENTA	X	X
LCOLORBALANCEYELLOW	X	X
LCOLORCORRECTION	✓	X
LCOLORSAVER	X	X
LCOLORTRAPPING	X	X
LCOLOREDLENGTH	X	X
LCOLOREDLOADING	✓	X
LCOLOREDOUTBIN	X	X
LCOLOREDTEXTURE	✓	✓
LCOLOREDWEIGHT	✓	✓
LCOLORMODEL	X	X
LCUSTOMPAPERUNITS	✓	✓
LCUSTOMPAPERWIDTH	✓	✓
LCUSTOMPAPERHEIGHT	✓	✓

Variable name	Printer model	
	E260, E260d/dn, E360d/dn, E460dn/ dw	X203n MFP, X204n MFP
LCUSTOMPAPERFEED	✓	✓
LCUSTOMTYPE1LENGTH	✓	✓
LCUSTOMTYPE1LOADING	✓	x
LCUSTOMTYPE1MEDIA	✓	✓
LCUSTOMTYPE1NAME	✓	✓
LCUSTOMTYPE1OUTBIN	x	x
LCUSTOMTYPE1TEXTURE	✓	✓
LCUSTOMTYPE1WEIGHT	✓	✓
LCUSTOMTYPE2LENGTH	✓	✓
LCUSTOMTYPE2LOADING	✓	x
LCUSTOMTYPE2MEDIA	✓	✓
LCUSTOMTYPE2NAME	✓	✓
LCUSTOMTYPE2OUTBIN	x	x
LCUSTOMTYPE2TEXTURE	✓	✓
LCUSTOMTYPE2WEIGHT	✓	✓
LCUSTOMTYPE3LENGTH	✓	✓
LCUSTOMTYPE3LOADING	✓	x
LCUSTOMTYPE3MEDIA	✓	✓
LCUSTOMTYPE3NAME	✓	✓
LCUSTOMTYPE3OUTBIN	x	x
LCUSTOMTYPE3TEXTURE	✓	✓
LCUSTOMTYPE3WEIGHT	✓	✓
LCUSTOMTYPE4LENGTH	✓	✓
LCUSTOMTYPE4LOADING	✓	x
LCUSTOMTYPE4MEDIA	✓	✓
LCUSTOMTYPE4NAME	✓	✓

<b>✓ = Supported</b> <b>X = Not supported</b>	Printer model	
	E260, E260d/dn, E360d/dn, E460dn/ dw	X203n MFP, X204n MFP
Variable name		
LCUSTOMTYPE4OUTBIN	X	X
LCUSTOMTYPE4TEXTURE	✓	✓
LCUSTOMTYPE4WEIGHT	✓	✓
LCUSTOMTYPE5LENGTH	✓	✓
LCUSTOMTYPE5LOADING	✓	X
LCUSTOMTYPE5MEDIA	✓	✓
LCUSTOMTYPE5NAME	✓	✓
LCUSTOMTYPE5OUTBIN	X	X
LCUSTOMTYPE5TEXTURE	✓	✓
LCUSTOMTYPE5WEIGHT	✓	✓
LCUSTOMTYPE6LENGTH	✓	✓
LCUSTOMTYPE6LOADING	✓	X
LCUSTOMTYPE6MEDIA	✓	✓
LCUSTOMTYPE6NAME	✓	✓
LCUSTOMTYPE6OUTBIN	X	X
LCUSTOMTYPE6TEXTURE	✓	✓
LCUSTOMTYPE6WEIGHT	✓	✓
LDOWNLOADTARGET	✓	✓
LDRYTIMEDELAY	X	X
LDUPLEXLEFTMARGINOFFSET	✓	X
LDUPLEXTOPMARGINOFFSET	✓	X
LDUPLICATEHELDJOBS	✓	X
LECOMODE	✓	✓
LENVELOPEENHANCE	X	X
LENVELOPELENGTH	X	X
LENVELOPEOUTBIN	X	X
LENVELOPETEXTURE	✓	✓

<b>✓ = Supported</b> <b>X = Not supported</b>	Printer model	
	E260, E260d/dn, E360d/dn, E460dn/ dw	X203n MFP, X204n MFP
Variable name		
LENVELOPEWEIGHT	✓	✓
LESCCHAR	✓	✓
LFAXJOBWAITFORTONER	X	X
LFAXRESOLUTION	X	✓
LFAXREDIAL	X	✓
LFAXREDIALFREQUENCY	X	✓
LFAXTRANSMISSIONLOG	X	✓
LFEEDERPAPERTYPE	X	X
LGLOSSYLOADING	X	X
LGLOSSYOUTBIN	X	X
LGLOSSYOUTPUTBIN	X	X
LGLOSSYTEXTURE	X	X
LGLOSSYWEIGHT	X	X
LHEAVYGLOSSYLOADING	X	X
LHEAVYGLOSSYOUTBIN	X	X
LHEAVYGLOSSYTEXTURE	X	X
LHEAVYGLOSSYWEIGHT	X	X
LHEAVYPAPERLOADING	✓	X
LHEAVYPAPEROUTBIN	X	X
LHEAVYPAPERTEXTURE	✓	✓
LHEAVYPAPERWEIGHT	✓	✓
LHOLEPUNCHALARM	X	X
LHOLEPUNCHMODE	X	X
LHONORINIT	✓	X
LIMAGEBRIGHTNESS	✓	X
LIMAGECONTRAST	✓	X
LIMAGEENHANCE	✓	✓
LIMAGEENHANCETYPE	✓	✓

Variable name	Printer model	
	E260, E260d/dn, E360d/dn, E460dn/ dw	X203n MFP, X204n MFP
LIMAGEORIENTATION	✓	✓
LIMAGESATURATION	X	X
LIMAGESMOOTHING	X	X
LINFEDDER	X	X
LINFEDDERSIZE	X	X
LINKALERT	X	X
LINMPFEEDERSIZE	✓	X
LJAMRECOVERY	✓	✓
LLABELSLENGTH	X	X
LLABELSLOADING	X	X
LLABELSOUTBIN	X	X
LLABELSTEXTURE	✓	✓
LLABELSWEIGHT	✓	✓
LLEFTMARGINOFFSET	✓	X
LLETTERHEADLENGTH	X	X
LLETTERHEADLOADING	✓	X
LLETTERHEADOUTBIN	X	X
LLETTERHEADTEXTURE	✓	✓
LLETTERHEADWEIGHT	✓	✓
LLIGHTPAPERLOADING	✓	X
LLIGHTPAPEROUTBIN	X	X
LLIGHTPAPERTEXTURE	✓	✓
LLIGHTPAPERWEIGHT	✓	✓
LLINEDETAIL	✓	✓
LMANUALCOLORRGBTEXT	X	X
LMANUALCOLORRGBGRAPHICS	X	X
LMANUALCOLORRGBIMAGE	X	X
LMANUALCOLORCMYKTEXT	X	X

Variable name	Printer model	
	E260, E260d/dn, E360d/dn, E460dn/ dw	X203n MFP, X204n MFP
LMANUALCOLORCMYKGRAPHICS	X	X
LMANUALCOLORCMYKIMAGE	X	X
LMANUALENVELOPESIZE	✓	✓
LMANUALENVELOPETYPE	✓	✓
LMANUALPAPERSIZE	✓	✓
LMANUALPAPERTYPE	✓	✓
LMAXSTATUSMSG	X	X
LMPFEEDERPAPERTYPE	✓	X
LMULTIPAGEBORDER	✓	✓
LMULTIPAGEORDER	✓	✓
LMULTIPAGEPRINT	✓	✓
LMULTIPAGEVIEW	✓	✓
LNPAP	✓	✓
LOPTIONALOUTBIN1NAME	X	X
LOPTIONALOUTBIN2NAME	X	X
LOPTIONALOUTBIN3NAME	X	X
LOPTIONALOUTBIN4NAME	X	X
LOPTIONALOUTBIN5NAME	X	X
LOPTIONALOUTBIN6NAME	X	X
LOPTIONALOUTBIN7NAME	X	X
LOPTIONALOUTBIN8NAME	X	X
LOPTIONALOUTBIN9NAME	X	X
LOPTIONALOUTBIN10NAME	X	X
LOUTBINCONFIG	X	X
LOVERFLOWOUTBIN	X	X
LOVERFLOWTIMER	X	X
LPAGECOUNT	✓	✓
LPAGEMODE	✓	✓



Variable name	Printer model	
	E260, E260d/dn, E360d/dn, E460dn/ dw	X203n MFP, X204n MFP
LPAPERSOURCE	✓	✓
LPICTUREGRADE	X	X
LPLAINLENGTH	X	X
LPLAINOUTBIN	X	X
LPLAINTEXTURE	✓	✓
LPLAINWEIGHT	✓	✓
LPOWERSAVER	✓	✓
LPPDS	✓	X
LPPDSFORMLINES	✓	✓
LPPDSLINESPERINCH	✓	✓
LPREPRINTEDLENGTH	✓	✓
LPREPRINTEDLOADING	✓	X
LPREPRINTEDOUTBIN	X	X
LPREPRINTEDTEXTURE	✓	✓
LPREPRINTEDWEIGHT	✓	✓
LPRINTBUFFER	✓	X
LPRINTHEADIDLETIME	X	X
LPRINTERUSAGE	X	X
LPRINTMENUSBUTTON	X	X
LPRINTQUALITY	X	X
LPUNCH	X	X
LQUIETMODE	✓	✓
LREAROUTBINNAME	X	X
LRECYCLEDLOADING	✓	✓
LRECYCLEDOUTBIN	X	X
LRECYCLEDMEDIA	✓	✓
LRECYCLEDTEXTURE	✓	✓

Variable name	Printer model	
	E260, E260d/dn, E360d/dn, E460dn/ dw	X203n MFP, X204n MFP
LRECYCLEDWEIGHT	✓	✓
LREPEATPRINTLIMIT	✓	X
LRESET	✓	X
LRESOURCESAVE	✓	X
LRIGHTMARGINOFFSET	✓	X
LROUGHENVELOPELOADING	X	X
LROUGHENVELOPEOUTBIN	X	X
LROUGHENVELOPETEXTURE	✓	✓
LROUGHENVELOPEWEIGHT	✓	✓
LROUGH PAPERLOADING	X	X
LROUGH PAPEROUTBIN	X	X
LROUGH PAPERTEXTURE	✓	✓
LROUGH PAPERWEIGHT	✓	✓
LSCREENING	X	X
LSEPARATORSHEETS	✓	X
LSEPARATORSOURCE	✓	X
LSMALLFONTENHANCER	✓	✓
LSSGALVO	X	X
LSTANDARDOUTBINNAME	✓	✓
LSTAPLE	X	X
LSTAPLEEMPTYALARM	X	X
LSTAPLETESTBIN	X	X
LSTAPLETESTSOURCE	X	X
LSTROKEWIDTH	X	X
LSUBSTITUTESIZE	✓	X
LTOPBINROTATE	X	X
LTOPMARGINOFFSET	✓	X
LTRANSPARENCYLENGTH	X	X

Variable name	Printer model	
	E260, E260d/dn, E360d/dn, E460dn/ dw	X203n MFP, X204n MFP
LTRANSPARENCYOUTBIN	X	X
LTRANSPARENCYTEXTURE	✓	✓
LTRANSPARENCYWEIGHT	✓	✓
LTRAY1AUTOSIZE	X	X
LTRAY2AUTOSIZE	X	X
LTRAY3AUTOSIZE	X	X
LTRAY4AUTOSIZE	X	X
LTRAY5AUTOSIZE	X	X
LTRAY1PAPERTYPE	✓	✓
LTRAY2PAPERTYPE	✓	X
LTRAY3PAPERTYPE	✓	X
LTRAY4PAPERTYPE	✓	X
LTRAY5PAPERTYPE	✓	X
LTRAY1RENUMBER	✓	X
LTRAY1SENSEDTYPEPAPER	X	X
LTRAY1SENSEDTYPETRANSARENCY	X	X
LTRAY2SENSEDTYPEPAPER	X	X
LTRAY2SENSEDTYPETRANSARENCY	X	X
LTRAY3SENSEDTYPEPAPER	X	X
LTRAY3SENSEDTYPETRANSARENCY	X	X
LTRAY4SENSEDTYPEPAPER	X	X
LTRAY4SENSEDTYPETRANSARENCY	X	X
LTYPE1FONTS	✓	✓
LUSDEFAULTS	✓	X
LVINYLLABELSLOADING	X	X
LVINYLLABELSOUTBIN	X	X
LVINYLLABELSTEXTURE	X	X
LVINYLLABELSWEIGHT	X	X
LWRITECOVERAGE	✓	✓

Variable name	Printer model	
	E260, E260d/dn, E360d/dn, E460dn/ dw	X203n MFP, X204n MFP
MICRJOB	✓	X

## Common variables for PCL emulation

Variable name	Printer model	
	E260, E260d/dn, E360d/dn, E460dn/ dw	X203n MFP, X204n MFP
FONTNUMBER	✓	✓
FONTSOURCE	✓	✓
PITCH	✓	✓
PTSIZE	✓	✓
SYMSET	✓	✓

## Printer-unique variables for PCL emulation

Variable name	Printer model	
	E260, E260d/dn, E360d/dn, E460dn/ dw	X203n MFP, X204n MFP
LA4WIDTH	✓	✓
LASSIGNFEEDER	X	X
LASSIGNMANUALENVELOPE	✓	X
LASSIGNMANUALPAPER	✓	X
LASSIGNMPFEEDER	✓	X
LASSIGNTRAY1	✓	X
LASSIGNTRAY2	✓	X
LASSIGNTRAY3	✓	X

Variable name	Printer model	
	E260, E260d/dn, E360d/dn, E460dn/ dw	X203n MFP, X204n MFP
LASSIGNTRAY4	✓	x
LASSIGNTRAY5	✓	x
LBITMAPROUNDING	✓	✓
LCOLOREXTENSIONS	✓	✓
LFONTCOMPATIBILITY	✓	✓
LFONTPRIORITY	✓	✓

## Common variables for PostScript emulation

Variable name	Printer model	
	E260, E260d/dn, E360d/dn, E460dn/ dw	X203n MFP, X204n MFP
ADOBEMBT	x	x
JAMRECOVERY	✓	x
PRTPSERRS	✓	✓

## Printer-unique variables for PostScript emulation

Variable name	Printer model	
	E260, E260d/dn, E360d/dn, E460dn/ dw	X203n MFP, X204n MFP
LPICTUREGRADE	x	x
LPSFONTPRIORITY	✓	✓

## Printer-unique LRESOURCE variables

Variable name	Printer model	
	E260, E260d/dn, E360d/dn, E460dn/ dw	X203n MFP, X204n MFP
LDESCRIPTION	X	✓
LRWLOCK	X	✓
LWLOCK	X	✓

## Status Readback commands

Variable name	Printer model	
	E260, E260d/dn, E360d/dn, E460dn/ dw	X203n MFP, X204n MFP
Dinquire	✓	✓
Echo	✓	✓
Info	✓	✓
Inquire	✓	✓
Ustatus	✓	✓
Ustatusoff	✓	✓

## USTATUS unsolicited status variables

Variable name	Printer model	
	E260, E260d/dn, E360d/dn, E460dn/ dw	X203n MFP, X204n MFP
DEVICE	✓	✓
JOB	✓	✓
PAGE	✓	✓

Variable name	Printer model	
	E260, E260d/dn, E360d/dn, E460dn/ dw	X203n MFP, X204n MFP
TIMED	✓	✓

## PJL messages for auto-continuable conditions

Message	Status code	Return string	Printer model	
			E260, E260d/dn, E360d/dn, E460dn/ dw	X203n MFP, X204n MFP
Intervention Required - PPDS Font Error	30014	50 PPDS Font Error	✓	X
Intervention Required - Insufficient Collation Area	30016	37 Insufficient Collation Area	✓	✓
Intervention Required - Insufficient Defragment Memory	30016	37 Insufficient Defrag Memory	✓	✓
Intervention Required - Insufficient Memory	30016	37 Insufficient Memory	X	X
Intervention Required - Insufficient Memory	30016	37 Insufficient memory for Flash Memory Defragment operation	X	X
Intervention Required - Insufficient Defragment Memory	30016	37 Insufficient memory, some Held Jobs were deleted	X	X
Intervention Required - Insufficient Defragment Memory	30016	37 Insufficient memory, some Held Jobs will not be restored	X	X
Intervention Required - Insufficient Collation Area	30016	37 Insufficient memory to collate job	X	X
Intervention Required - Memory Full	30016	38 Memory Full	✓	✓
Intervention Required - Configuration Change	30016	57 Configuration Change	X	X

✓ = Supported X = Not supported			Printer model	
Message	Status code	Return string	E260, E260d/dn, E360d/dn, E460dn/ dw	X203n MFP, X204n MFP
Intervention Required - Configuration Change	30016	57 Configuration change, some held jobs were not restored	X	X
Intervention Required - Held Jobs May Not Be Restored	30016	Held Jobs May Not Be Restored	X	X
Intervention Required - Held Jobs May Not Be Restored	30016	Some held jobs were not restored	X	X
Intervention Required - Complex Page	30017	39 Complex Page	✓	✓
Intervention Required - Parallel Error	30018	54 Parallel Error	X	X
Intervention Required - Serial Option Error	30018	54 Serial option <slot #> error	X	X
Intervention Required - Network Software Error	30018	54 Standard Network Software Error	X	X
Intervention Required - Standard Serial Error	30018	54 Standard Serial Error	X	X
Intervention Required - Network Software Error	30018	54 Standard network software error	X	X
Intervention Required - Network Software Error	30018	54 Std Network Software Error	✓	✓
Intervention Required - Standard Serial Fax Connection Lost	30018	54 Std Ser Fax Connection Lost	X	X
Intervention Required - Parallel Port Disabled	30018	56 Parallel Port Disabled	X	X
Intervention Required - Parallel Port Error	30018	56 Parallel Port [x] Disabled	X	X
Intervention Required - Serial Option Disabled	30018	56 Serial <slot #> Port Disabled	X	X
Intervention Required - Standard Serial Disabled	30018	56 Standard Serial Disabled	X	X



✓ = Supported X = Not supported			Printer model	
Message	Status code	Return string	E260, E260d/dn, E360d/dn, E460dn/ dw	X203n MFP, X204n MFP
Intervention Required - Standard USB Disabled	30018	56 Standard USB port disabled	X	X
Intervention Required - Std Parallel Port Disabled	30018	56 Std Parallel Port Disabled	X	X
Intervention Required - Resource Save Off Deficient Memory	30019	35 Res Save Off Deficient Memory	✓	✓
Intervention Required - Insufficient Fax Buffer	30026	55 Insufficient Fax Buffer	X	X
Intervention Required - Std Par ENA Connection Lost	30027	54 Std Par ENA Connection Lost	X	X
Intervention Required - Standard Parallel Port Disabled	30027	56 Standard Parallel Port Disabled	✓	X
Intervention Required - Std Parallel Port Disabled	30027	56 Std Parallel Port Disabled	X	X
Intervention Required - Resolution Reduced	30029	36 Resolution Reduced	X	X
Intervention Required - Print Jobs on Disk Request	30031	Print Jobs on Disk? or Print Jobs on Disk. Go/Stop?	X	X
Intervention Required - Restore Held Jobs. Go/Stop?	30031	Restore Held Jobs. Go/Stop?	X	X
Intervention Required - Short Paper	30034	34 Short Paper	✓	✓
Intervention Required - Flash Full	30035	52 Flash Full	X	X
Intervention Required - Disk Full	30035	62 Disk Full	X	X
Intervention Required - Defective Flash	30036	51 Defective Flash	X	X
Intervention Required - Unformatted Flash	30036	53 Unformatted Flash	X	X

✓ = Supported X = Not supported			Printer model	
Message	Status code	Return string	E260, E260d/dn, E360d/dn, E460dn/ dw	X203n MFP, X204n MFP
Intervention Required - Defective Disk	30036	61 Defective Disk	X	X
Intervention Required - Unformatted Disk	30036	63 Unformatted Disk	X	X
Intervention Required - Scheduled Maintenance	30075	80 Scheduled Maintenance	X	X
Intervention Required - Scheduled Maintenance	30075	80 Scheduled maintenance ADF kit	X	X
Intervention Required - Insufficient Memory	30076	35 Insufficient memory to support Resource Save feature	X	X
Intervention Required - Resource Save Off Deficient Memory	30076	35 Res Save Off Deficient Memory	✓	✓
Intervention Required - Insufficient Collation Area	30076	37 Insufficient Collation Area	X	X
Intervention Required - Service Required	30095	36 Printer service required	X	X
Intervention Required - Empty Box M	30107	Empty Box M	X	X
Intervention Required - Empty Hole Punch Box	30107	Empty Hole Punch Box	X	X
Intervention Required - Insert Box M	30107	Insert Box M	X	X
Intervention Required - Insert Staple Cartridge	30107	Insert staple cartridge	X	X
Intervention Required - Insert Stapler	30107	Insert Stapler	X	X
Intervention Required - Priming Failed	30107	Priming Failed, Retry. Go/Stop?	X	X
Intervention Required - Network <x> Software Error	30112	54 Network <x> Software Error	X	X

✓ = Supported X = Not supported			Printer model	
Message	Status code	Return string	E260, E260d/dn, E360d/dn, E460dn/ dw	X203n MFP, X204n MFP
Intervention Required - Serial <x> Fax Connection Lost	30112	54 Ser <x> Fax Connection Lost	X	X
Intervention Required - Serial Option <x> Error	30112	54 Serial Option <x> Error	X	X
Intervention Required - Serial Port <x> Disabled	30112	56 Serial Port <x> Disabled	X	X
Intervention Required - USB Port Disabled	30112	56 USB Port <x> Disabled	X	X
Intervention Required - Parallel <x> ENA Connection Lost	30113	54 Par <x> ENA Connection Lost	X	X
Intervention Required - Parallel <x> Port Disabled	30113	56 Parallel Port <x> Disabled	X	X
Intervention Required - Disk Operation Failed Faxes on Disk	32001	Operation Failed Faxes on Disk	X	X
Intervention Required - Disk Operation Failed Jobs on Disk	32001	Operation Failed Jobs on Disk	X	X
Intervention Required - Flash Full	32002	52 Flash Full	✓	X
Intervention Required - Flash Full	32002	52 Not enough free space in flash memory for resources	X	X
Intervention Required - Disk Full	32002	62 Disk full	X	X
Intervention required - Disk Corrupted	32015	Disk corrupted	X	X
Intervention required - Disk Corrupted. Reformat?	32015	Disk Corrupted. Reformat?	X	X
Intervention Required - Too Many Bins Attached	32030	58 Too many bins attached	X	X

✓ = Supported X = Not supported			Printer model	
Message	Status code	Return string	E260, E260d/dn, E360d/dn, E460dn/ dw	X203n MFP, X204n MFP
Intervention Required - Too Many Flash Options Installed	32030	58 Too Many Flash Options	✓	X
Intervention Required - Too Many Flash Options Installed	32030	58 Too many flash options installed	X	X
Intervention Required - Unformatted Flash	32052	53 Unformatted Flash	X	X
Intervention Required - Unformatted Flash Detected	32052	53 Unformatted flash detected	✓	X
Intervention Required - Unformatted Disk	32052	63 Unformatted disk	X	X
Intervention Required - Unsupported Disk Format	32052	64 Unsupported Disk Format	X	X
Intervention Required - Defective Flash	32056	51 Defective Flash	X	X
Intervention Required - Defective Flash	32056	51 Defective flash detected	✓	X
Intervention Required - Defective Disk	32056	61 Defective Disk	X	X
Intervention Required - Defective Disk	32056	61 Remove defective disk	X	X
Intervention Required - Scheduled Maintenance	35075	80 Scheduled Maintenance	X	X
Intervention Required - Scheduled Maintenance	35075	81 Scheduled Maintenance	X	X
Intervention Required - Belt Exhausted	40038	80 Belt Exhausted	X	X
Intervention Required - Belt Life Warning	40038	80 Belt Life Warning	X	X
Intervention Required - Fuser/Belt Exhausted	40038	80 Fuser/Belt Exhausted	X	X

✓ = Supported X = Not supported			Printer model	
Message	Status code	Return string	E260, E260d/dn, E360d/dn, E460dn/ dw	X203n MFP, X204n MFP
Intervention Required - Fuser/Belt Life Warning	40038	80 Fuser/Belt Life Warning	X	X
Intervention Required - Fuser Exhausted	40038	80 Fuser Exhausted	X	X
Intervention Required - Fuser Life Warning	40038	80 Fuser Life Warning	X	X
Intervention Required - Fuser Maintenance	40038	80 Fuser Maintenance	X	X
Intervention Required - ITU Maintenance	40038	83 ITU Maintenance	X	X

## PJL messages for attendance conditions

✓ = Supported X = Not supported			Printer model	
Message	Status code	Return string	E260, E260d/dn, E360d/dn, E460dn/ dw	X203n MFP, X204n MFP
Intervention Required - Too Many Bins Attached	32030	58 Too many bins attached	X	X
Intervention Required - Too Many Flash Options Installed	32030	58 Too many flash options installed	✓	X
Intervention Required - Remove Defective Disk	32056	61 Remove defective disk	X	X
Intervention Required - Insert Hole Punch Box	40010	Insert Hole Punch Box	X	X
Intervention Required - Insert PC Cartridge	40010	Insert PC Cartridge	X	X
Intervention Required - 30 CMYK* Print Unit Missing	40010	30 CMYK* Print Unit Missing	X	X

\* This message contains a subset of letters CMYK, where CMYK denotes Cyan, Magenta, Yellow, and Black cartridges, respectively.

✓ = Supported X = Not supported			Printer model	
Message	Status code	Return string	E260, E260d/dn, E360d/dn, E460dn/ dw	X203n MFP, X204n MFP
Intervention Required - 30 Coating Roll Missing	40010	30 Coating Roll Missing	X	X
Intervention Required - Remove Originals from Scanner ADF	40019	Remove originals from the scanner automatic document feeder	X	X
Intervention Required - Install MICR cartridge	40020	Install MICR cartridge	X	X
Intervention Required - Cartridge Life Expired	40021	Cartridge Life Expired CMYK*	X	X
Intervention Required - Cartridge Life Warning	40021	Cartridge Life Warning CMYK*	X	X
Intervention Required - Change Cartridge Invalid Refill	40021	Change Cartridge Invalid Refill	X	X
Intervention Required - Close Cover <c>	40021	Close Cover <c>	X	X
Intervention Required - Printer Cover Open	40021	Close Cover	X	X
Intervention Required - Close Toner Box Cover	40021	Close Cover	X	X
Intervention Required - Close Deflector G	40021	Close Deflector G	X	X
Intervention Required - Close Door <d>	40021	Close Door <d>	X	X
Intervention Required - Close Door Insert Cartridge	40021	Close door or insert cartridge	X	X
Intervention Required - Close Finisher Door	40021	Close Finisher Door	X	X
Intervention Required - Close Finisher Side Door	40021	Close Finisher Side Door	X	X
Intervention Required - Close Finisher Top Cover	40021	Close Finisher Top Cover	X	X

\* This message contains a subset of letters CMYK, where CMYK denotes Cyan, Magenta, Yellow, and Black cartridges, respectively.

✓ = Supported X = Not supported			Printer model	
Message	Status code	Return string	E260, E260d/dn, E360d/dn, E460dn/ dw	X203n MFP, X204n MFP
Intervention Required - Close Front Door	40021	Close Front Door	✓	✓
Intervention Required - Close Side Door	40021	Close Side Door	X	X
Intervention Required - Close Surface	40021	Close surface H	X	X
Intervention Required - Close Cover	40021	Close top access cover	X	X
Intervention Required - Close Cover and Door	40021	Close top access cover and front door	X	X
Intervention Required - Close Door	40021	Close <tray> door	X	X
Intervention Required - Close Tray <x> Top Cover	40021	Close Tray <x> Top Cover	X	X
Intervention Required - Printer Upper Door Open	40021	Cover Open, Close Top Covers, Close Door, or Insert Cartridge	X	X
Intervention Required - Insert Print Cartridge	40021	Insert Print Cartridge	X	X
Intervention Required - Open Cover	40021	Open Cover	X	X
Intervention Required - Open Rear Door	40021	Open Rear Door	X	X
Intervention Required - Invalid Refill	40021	30 Invalid Refill Change Cartridge	X	X
Intervention Required - Defective Ink Cartridge	40021	31 Defective Cartridge CMYK*	X	X
Intervention Required - Defective Print Cartridge	40021	31 Defective Print Cartridge	X	X
Intervention Required - Missing Cartridge	40021	31 Missing Cartridge CMYK*	X	X

\* This message contains a subset of letters CMYK, where CMYK denotes Cyan, Magenta, Yellow, and Black cartridges, respectively.

✓ = Supported X = Not supported			Printer model	
Message	Status code	Return string	E260, E260d/dn, E360d/dn, E460dn/ dw	X203n MFP, X204n MFP
Intervention Required - Missing Printhead	40021	31 Missing Printhead	X	X
Intervention Required - Defective Print Cartridge	40021	31 Replace defective cartridge	X	X
Intervention Required - Invalid Refill	40021	31.yy Invalid refill, change cartridge	X	X
Intervention Required - Defective Print Cartridge	40021	31.yy Replace defective cartridge	X	X
Intervention Required - Defective Print Cartridge	40021	31.yy Replace defective print cartridge	X	X
Intervention Required - Unsupported Cartridge	40021	32 Unsupported Cartridge	X	X
Intervention Required - Unsupported CMYK* Cartridge	40021	32 Unsupported CMYK* Cartridge	X	X
Intervention Required - Unsupported Print Cartridge	40021	32 Unsupported Print Cartridge	X	X
Intervention Required - Unsupported Printhead	40021	32 Unsupported Printhead	X	X
Intervention Required - Unsupported Cartridge	40021	32.yy Cartridge part number unsupported by device	X	X
Intervention Required - Tray Size Sense Error	40021	40 Tray <x> Size Sense Error	X	X
Intervention Required - Open Bin Exit Tray	40021	41 Open Bin 1 Exit Tray	X	X
Intervention Required - Cartridge Region Mismatch	40021	42.xy Cartridge region mismatch	X	X

\* This message contains a subset of letters CMYK, where CMYK denotes Cyan, Magenta, Yellow, and Black cartridges, respectively.



✓ = Supported X = Not supported			Printer model	
Message	Status code	Return string	E260, E260d/dn, E360d/dn, E460dn/ dw	X203n MFP, X204n MFP
Intervention Required - Paper Jam	40022	2xx Paper Jam	✓	✓
Intervention Required - Waste Toner Box Missing	40025	82.yy Waste toner box missing	X	X
Intervention Required - Check Tray Connection	40027	Check tray <source #> connection	X	X
Intervention Required - Install Tray <x> or Cancel Job	40027	Install Tray <x>	X	X
Intervention Required - Install Tray <x> or Cancel Job	40027	Install Tray <x> or Cancel Job	X	X
Intervention Required - Install Envelope Feeder	40028	Install envelope feeder	X	X
Intervention Required - Install Env Feeder or Cancel Job	40028	Install Env Feed or Cancel Job	X	X
Intervention Required - Reattach Envelope Feeder	40028	Reattach Envelope Feeder	X	X
Intervention Required - Reattach MP Feeder	40028	Reattach MP Feeder	X	X
Intervention Required - Check Finisher Installation	40029	Check Finisher Installation	X	X
Intervention Required - Check Mailbox Installation	40029	Check Mailbox Installation	X	X
Intervention Required - Install Bin <x> or Cancel Job	40029	Install Bin <x> or Cancel Job	X	X
Intervention Required - Reattach Bin	40029	Reattach bin <x>	X	X

\* This message contains a subset of letters CMYK, where CMYK denotes Cyan, Magenta, Yellow, and Black cartridges, respectively.

✓ = Supported X = Not supported			Printer model	
Message	Status code	Return string	E260, E260d/dn, E360d/dn, E460dn/ dw	X203n MFP, X204n MFP
Intervention Required - Reattach Bins	40029	Reattach Bins <bin #x-bin #y>	X	X
Intervention Required - Reattach Output Bin	40029	Reattach Output Bin <bin #>	X	X
Intervention Required - Tray Config Error	40030	33 Tray <x> Config Error	X	X
Intervention Required - Input Config Error	40030	58 Input config error	X	X
Intervention Required - Too Many Bins Attached	40030	58 Too Many Bins Attached	X	X
Intervention Required - Too Many Disks Installed	40030	58 Too many disks installed	X	X
Intervention Required - Too Many Trays Attached	40030	58 Too many trays attached	X	X
Intervention Required - Too Many Disks Installed	40036	58 Too Many Disks Installed	X	X
Intervention Required - PerfectFinish Missing	40037	31 PerfectFinish Missing	X	X
Intervention Required - PerfectFinish Empty	40037	87 PerfectFinish Empty	X	X
Intervention Required - Replace Oil Coating Roll	40038	Replace Oil Coating Roll	X	X
Intervention Required - Replace PC Kit	40038	Replace PC Kit	X	X
Intervention Required - Replace PC Kit To Continue	40038	Replace PC Kit To Continue	X	X
Intervention Required - Replace Toner Cartridge	40038	Replace Toner Cartridge	X	X
Intervention Required - Replace Toner Cartridge To Continue	40038	Replace Toner To Continue	X	X

\* This message contains a subset of letters CMYK, where CMYK denotes Cyan, Magenta, Yellow, and Black cartridges, respectively.

✓ = Supported X = Not supported			Printer model	
Message	Status code	Return string	E260, E260d/dn, E360d/dn, E460dn/ dw	X203n MFP, X204n MFP
Intervention Required - 84 All Photo Devs Exhausted	40038	84 All Photo Devs Exhausted	X	X
Intervention Required - 84 Black Photo Dev Exhausted	40038	84 Black Photo Dev Exhausted	X	X
Intervention Required - 84 Black Photo Dev Life Warning	40038	84 Black Photo Dev Life Warning	X	X
Intervention Required - 84 Color Photo Dev Life Warning	40038	84 Color Photo Dev Life Warning	X	X
Intervention Required - Cartridge Low	40038	88 Cartridge Low	X	X
Intervention Required - Cartridge Low	40038	88 Cartridge is low	✓	✓
Intervention Required - Toner Low	40038	88 Cartridge low	X	X
Intervention Required - Cartridge Low	40038	88 Cartridge Low <CMYK>	X	X
Intervention Required - Toner Low	40038	88 Toner is low	X	X
Intervention Required - Toner Low	40038	88 Toner Low	X	X

\* This message contains a subset of letters CMYK, where CMYK denotes Cyan, Magenta, Yellow, and Black cartridges, respectively.

✓ = Supported X = Not supported			Printer model	
Message	Status code	Return string	E260, E260d/dn, E360d/dn, E460dn/ dw	X203n MFP, X204n MFP
Intervention Required - Toner Low	40038	88 Yellow Toner Low	X	X
		88 Magenta Toner Low		
		88 Cyan Toner Low 88 Black Toner Low		
		88 Color Print Cartridge Low 88 Black Print Cartridge Low 88 Photo Print Cartridge Low	X	X
		88 Yellow Toner Empty 88 Magenta Toner Empty 88 Cyan Toner Empty 88 Black Toner Empty	X	X
Intervention Required - Cartridge Nearly Low	40038	88.yy Cartridge nearly low	X	X
Intervention Required - Cartridge Empty	40039	89 Cartridge Empty <CMYK>	X	X
Intervention Required - Load Staples	40040	Load Staples	X	X
Intervention Required - Priming Failed. Retry?	40041	Priming Failed. Retry?	X	X
Intervention Required - OPMSG	40048	OPMSG message	X	X
Intervention Required - STMSG	40049	STMSG message	X	X
Intervention Required - Replace Fuser	40050	Replace Fuser	X	X
Intervention Required - Replace Transfer Kit	40050	Replace Transfer Kit	X	X
* This message contains a subset of letters CMYK, where CMYK denotes Cyan, Magenta, Yellow, and Black cartridges, respectively.				

✓ = Supported X = Not supported			Printer model	
Message	Status code	Return string	E260, E260d/dn, E360d/dn, E460dn/ dw	X203n MFP, X204n MFP
Intervention Required - Incompatible Bin <x>	40087	59 Incompatible Bin <x>	X	X
Intervention Required - Incompatible Bin <x>	40087	59 Incompatible output bin <x>	X	X
Intervention Required - Incompatible Duplex	40088	59 Incompatible Duplex	X	X
Intervention Required - Incompatible Duplex	40088	59 Incompatible duplex	X	X
Intervention Required - Incompatible Tray <x>	40089	59 Incompatible Tray <x>	X	X
Intervention Required - Incompatible Tray <x>	40089	59 Incompatible tray <x>	X	X
Intervention Required - Incompatible Envelope Feeder	40090	59 Incompatible Envelope Feeder	X	X
Intervention Required - Incompatible Envelope Feeder	40090	59 Incompatible envelope feeder	X	X
Intervention Required - Check Duplex Connection	40095	Check Duplex Connection	X	X
Intervention Required - Check Duplex Connection	40095	Check duplex connection	X	X
Intervention Required - Install Duplex or Cancel Job	40095	Install Duplex or Cancel Job	X	X
Intervention Required - Install Duplex or Cancel Job	40095	Install duplex	X	X
Intervention Required - Duplex Cover Open	40096	Close Duplex Door	X	X
Intervention Required - Insert Duplex Option	40096	Insert Duplex Option	X	X

\* This message contains a subset of letters CMYK, where CMYK denotes Cyan, Magenta, Yellow, and Black cartridges, respectively.

✓ = Supported X = Not supported			Printer model	
Message	Status code	Return string	E260, E260d/dn, E360d/dn, E460dn/ dw	X203n MFP, X204n MFP
Intervention Required - Load Staples	40101	Load Staples	X	X
Intervention Required - Insert Hole Punch Box	40107	Insert the hole punch box	X	X
Intervention Required - Replace Color PC Units	40129	84 Replace color PC Units	X	X
Intervention Required - Replace Photoconductor	40129	84.yy Replace <color> photoconductor	X	X
Intervention Required - Replace Waste Toner Box	40141	82.yy Replace waste toner box	X	X
Intervention Required - Waste Toner Box Nearly Full	40141	82.yy Waste toner box nearly full	X	X
Intervention Required - Transfer Module Missing	40143	83.yy Transfer module missing	X	X
Intervention Required - Cartridge Low	40200	88.yy black cartridge low	✓	X
Intervention Required - Cartridge Nearly Low	40200	88.1x black cartridge nearly low	X	X
Intervention Required - Replace Cartridge	40200	88.2x Replace black cartridge	X	X
Intervention Required - Cartridge Low	40201	88.yy cyan cartridge low	X	X
Intervention Required - Cartridge Nearly Low	40201	88.1x cyan cartridge nearly low	X	X
Intervention Required - Replace Cartridge	40201	88.2x Replace cyan cartridge	X	X
Intervention Required - Cartridge Low	40202	88.yy magenta cartridge low	X	X
Intervention Required - Cartridge Nearly Low	40202	88.1x magenta cartridge nearly low	X	X

\* This message contains a subset of letters CMYK, where CMYK denotes Cyan, Magenta, Yellow, and Black cartridges, respectively.

## Appendix B: PJI support

✓ = Supported X = Not supported			Printer model	
Message	Status code	Return string	E260, E260d/dn, E360d/dn, E460dn/ dw	X203n MFP, X204n MFP
Intervention Required - Replace Cartridge	40202	88.2x Replace magenta cartridge	X	X
Intervention Required - Cartridge Low	40203	88.yy yellow cartridge low	X	X
Intervention Required - Cartridge Nearly Low	40203	88.1x yellow cartridge nearly low	X	X
Intervention Required - Replace Cartridge	40203	88.2x Replace yellow cartridge	X	X
Black PC Unit Life Warning	40204	84 Black pc unit life warning	X	X
Intervention Required - Unsupported PC Unit	40204	84 unsupported [color] pc unit	X	X
Intervention Required - Color PC Units Life Warning	40204	84.yy Color PC Unit Life warning	X	X
Intervention Required - PC Kit Life Warning	40204	84 PC kit life warning	✓	✓
Intervention Required - Photoconductor Low	40204	84.yy <color> photoconductor low	X	X
Intervention Required - Photoconductor Low	40204	84 Photoconductor low	X	X
Intervention Required - Photoconductor Nearly Low	40204	84.yy [color] photoconductor nearly low	X	X
Intervention Required - Transfer Module Life Warning	40215	83.yy Transfer module life warning	X	X
Intervention Required - Transfer Module Near Life Warning	40215	83.yy Transfer module near life warning	X	X
Intervention Required - Fuser Life Warning	40216	87 Fuser Life Warning	X	X

\* This message contains a subset of letters CMYK, where CMYK denotes Cyan, Magenta, Yellow, and Black cartridges, respectively.

✓ = Supported X = Not supported			Printer model	
Message	Status code	Return string	E260, E260d/dn, E360d/dn, E460dn/ dw	X203n MFP, X204n MFP
Intervention Required - Fuser Life Warning	40216	80.yy Fuser life warning	X	X
Intervention Required - Fuser Near Life Warning	40216	80.yy Fuser near life warning	X	X
Intervention Required - Replace Toner	40300	88 Replace black toner	X	X
Intervention Required - Replace Toner	40301	88 Replace cyan toner	X	X
Intervention Required - Replace Toner	40302	88 Replace magenta toner	X	X
Intervention Required - Replace Toner	40303	88 Replace yellow toner	X	X
Intervention Required - Replace PC Kit	40304	84 Replace PC Kit	✓	✓
Intervention Required - Replace Photoconductor	40304	84 Replace photoconductor	X	X
Intervention Required - 84 Replace Black PC Unit	40305	84 Replace black PC Unit	X	X
Intervention Required - Cartridge Part Number Unsupported	40309	32.yy black cartridge part number unsupported by device	X	X
Intervention Required - Replace unsupported cartridge	40309	32.yy Replace unsupported black cartridge	X	X
Intervention Required - Invalid Refill, Change Cartridge	40309	40 black invalid refill, change cartridge	X	X
Intervention Required - Cartridge Part Number Unsupported	40310	32.yy cyan cartridge part number unsupported by device	X	X
Intervention Required - Replace unsupported cartridge	40310	32.yy Replace unsupported cyan cartridge	X	X

\* This message contains a subset of letters CMYK, where CMYK denotes Cyan, Magenta, Yellow, and Black cartridges, respectively.



✓ = Supported X = Not supported			Printer model	
Message	Status code	Return string	E260, E260d/dn, E360d/dn, E460dn/ dw	X203n MFP, X204n MFP
Intervention Required - Invalid Refill, Change Cartridge	40310	40 cyan invalid refill, change cartridge	X	X
Intervention Required - Cartridge Part Number Unsupported	40311	32.yy magenta cartridge part number unsupported by device	X	X
Intervention Required - Replace unsupported cartridge	40311	32.yy Replace unsupported magenta cartridge	X	X
Intervention Required - Invalid Refill, Change Cartridge	40311	40 magenta invalid refill, change cartridge	X	X
Intervention Required - Cartridge Part Number Unsupported	40312	32.yy yellow cartridge part number unsupported by device	X	X
Intervention Required - Replace unsupported cartridge	40312	32.yy Replace unsupported yellow cartridge	X	X
Intervention Required - Invalid Refill, Change Cartridge	40312	40 yellow invalid refill, change cartridge	X	X
Intervention Required - Scheduled Maintenance	40315	80 Scheduled maintenance [x] <b>Note:</b> [x] indicates 600k kit.	X	X
Intervention Required - Replace Transfer Module	40315	83.yy Replace transfer module	X	X
Intervention Required - Replace Fuser	40316	80.yy Replace fuser	X	X
Intervention Required - Replace Fuser	40316	87.yy Replace fuser	X	X

\* This message contains a subset of letters CMYK, where CMYK denotes Cyan, Magenta, Yellow, and Black cartridges, respectively.

✓ = Supported X = Not supported			Printer model	
Message	Status code	Return string	E260, E260d/dn, E360d/dn, E460dn/ dw	X203n MFP, X204n MFP
Intervention Required - Scheduled Maintenance	40316	80 Scheduled maintenance [x] <b>Note:</b> [x] indicates 100k kit.	X	X
Intervention Required - Replace Cartridge	40400	31.yy Replace defective or missing cartridge	✓	✓
Intervention Required - Insert Photoconductor	40404	84 Insert photoconductor	X	X
Intervention Required -	40404	84 Photoconductor abnormal	X	X
Intervention Required - <Color> PC Unit Missing	40405	84.41 Black PC Unit missing	X	X
Intervention Required - <Color> Photoconductor Missing	40405	84.41 Black photoconductor missing	X	X
Intervention Required - <Color> PC Unit Missing	40406	84.41 Cyan PC Unit missing	X	X
Intervention Required - <Color> Photoconductor Missing	40406	84.41 Cyan photoconductor missing	X	X
Intervention Required - <Color> PC Unit Missing	40407	84.41 Magenta PC Unit missing	X	X
Intervention Required - <Color> Photoconductor Missing	40407	84.41 Magenta photoconductor missing	X	X
Intervention Required - <Color> PC Unit Missing	40408	84.41 Yellow PC Unit missing	X	X
Intervention Required - <Color> Photoconductor Missing	40408	84.41 Yellow photoconductor missing	X	X
Intervention Required - Toner Cartridge Missing	40409	30.yy Black toner cartridge missing	X	X
Intervention Required - Defective Cartridge	40409	31.yy Defective black cartridge	X	X

\* This message contains a subset of letters CMYK, where CMYK denotes Cyan, Magenta, Yellow, and Black cartridges, respectively.

✓ = Supported X = Not supported			Printer model	
Message	Status code	Return string	E260, E260d/dn, E360d/dn, E460dn/ dw	X203n MFP, X204n MFP
Intervention Required - Missing or Defective Cartridge	40409	31.41 Missing or defective black cartridge	X	X
Intervention Required - Toner Cartridge Missing	40410	30.yy Cyan toner cartridge missing	X	X
Intervention Required - Defective Cartridge	40410	31.yy Defective cyan cartridge	X	X
Intervention Required - Missing or Defective Cartridge	40410	31.41 Missing or defective cyan cartridge	X	X
Intervention Required - Toner Cartridge Missing	40411	30.yy Magenta toner cartridge missing	X	X
Intervention Required - Defective Cartridge	40411	31.yy Defective magenta cartridge	X	X
Intervention Required - Missing or Defective Cartridge	40411	31.41 Missing or defective magenta cartridge	X	X
Intervention Required - Toner Cartridge Missing	40412	30.yy Yellow toner cartridge missing	X	X
Intervention Required - Defective Cartridge	40412	31.yy Defective yellow cartridge	X	X
Intervention Required - Missing or Defective Cartridge	40412	31.41 Missing or defective yellow cartridge	X	X
Intervention Required - Fuser Missing	40416	80.yy Fuser missing	X	X
Intervention Required - Fuser Missing	40416	87.yy Fuser missing	X	X

\* This message contains a subset of letters CMYK, where CMYK denotes Cyan, Magenta, Yellow, and Black cartridges, respectively.

# PJL messages for paper handling

✓ = Supported X = Not supported			Printer model	
Message	Status code	Return string	E260, E260d/dn, E360d/dn, E460dn/dw	X203n MFP, X204n MFP
Intervention Required - Tray <x> Empty	11xyy	Tray <source #> Empty	X	X
Intervention Required - Tray <x> Missing	12x01	Tray <source #> Missing	X	X
Intervention Required - Bin <x> Full	15ww1	Bin <Bin #> Full	X	X
Intervention Required - Wrong Paper Size in Tray <x>	30034	34 Wrong Paper Size in Tray <x>	X	X
Intervention Required - Wrong Paper Size Manual Feed	30034	34 Wrong Paper Size Manual Feed	X	X
Intervention Required - Remove Paper All Output Bins	40019	Remove Paper All Output Bins	X	X
Intervention Required - Remove Paper From All Bins	40019	Remove paper from all bins	X	X
Intervention Required - Remove Paper From <bin #>	40019	Remove paper from bin <bin #>	X	X
Intervention Required - Remove Paper <linked set bin name>	40019	Remove paper from <linked set bin name>	X	X
Intervention Required - Remove Paper From Standard Output Bin	40019	Remove paper from standard output bin	✓	X
Intervention Required - Remove Paper <linked set bin name>	40019	Remove Paper <linked set bin name>	X	X
Intervention Required - Remove Paper Outbin <bin #>	40019	Remove Paper Output Bin <bin #>	X	X

✓ = Supported X = Not supported			Printer model	
Message	Status code	Return string	E260, E260d/dn, E360d/dn, E460dn/dw	X203n MFP, X204n MFP
Intervention Required - Remove Paper Standard Bin	40019	Remove Paper Standard Bin	X	X
Intervention Required - Photoconductor Exposure Warning	40025	Photoconductor exposure warning	X	X
Intervention Required - Check <Source> Orientation or Guides	4100x	Check <source> orientation or guides	X	X
Intervention Required - Check <Source> Paper Guide	4100x	Check <source> Paper Guide	X	X
Intervention Required - Incorrect Media	41xy	Paper changes needed	X	X
Intervention Required - Change Request	41xyy	Change <source> <Custom Type Name> <Custom String> <size> <type><size>	X	X
Intervention Required - Load Manual Request	41xyy	Load Manual <Custom Type Name> <Custom String> <size> <type><size>	X	X
Intervention Required - Load Manual Request	41xyy	Load Manual Feeder with <Custom Type Name>	✓	✓
Intervention Required - Load Manual Request	41xyy	Load Manual Feeder with <Custom String>	✓	✓
Intervention Required - Load Manual Request	41xyy	Load Manual Feeder with <size>	✓	✓

✓ = Supported X = Not supported			Printer model	
Message	Status code	Return string	E260, E260d/dn, E360d/dn, E460dn/dw	X203n MFP, X204n MFP
Intervention Required - Load Manual Request	41xyy	Load Manual Feeder with <type><size>	✓	✓
Intervention Required - Load Request	41xyy	Load <source> with <Custom Type Name>	✓	✓
Intervention Required - Load Request	41xyy	Load <source> with <Custom String>	✓	✓
Intervention Required - Load Request	41xyy	Load <source> with <size>	✓	✓
Intervention Required - Load Request	41xyy	Load <source> with <type><size>	✓	✓
Intervention Required - Incorrect Media	41xyy	34 Incorrect Media	X	X
Intervention Required - Insert Duplex Pages & Press Go.	412yy	Insert Duplex Pages & Press Go.	X	X
Intervention Required - Insert Tray Request	4300x	Insert Tray <x>	X	X

## PJL messages for paper jams

✓ = Supported X = Not supported		Printer model	
Message	Status code	E260, E260d/dn, E360d/dn, E460dn/ dw	X203n MFP, X204n MFP
Intervention Required - Paper Jam	4200x	X	X
Intervention Required - Paper Jam	4200z	✓	✓

w indicates this message includes a letter indicating a door or cover that needs to be opened.  
x represents the number of jammed pages in the printer.  
y represents the tray number.  
z represents the bin number.

<b>√ = Supported</b> <b>X = Not supported</b>		<b>Printer model</b>	
<b>Message</b>	<b>Status code</b>	<b>E260, E260d/dn, E360d/dn, E460dn/ dw</b>	<b>X203n MFP, X204n MFP</b>
Intervention Required - Paper Jam	4201x	X	X
Intervention Required - Paper Jam	4201z	√	√
Intervention Required - Paper Jam	4202x	X	X
Intervention Required - Paper Jam	4202z	√	√
Intervention Required - Paper Jam	4203x	X	X
Intervention Required - Paper Jam	4203z	X	X
Intervention Required - Paper Jam	4204x	X	X
Intervention Required - Paper Jam	4205x	X	X
Intervention Required - Paper Jam	4206x	X	X
Intervention Required - Paper Jam	4207x	X	X
Intervention Required - Paper Jam	4208x	X	X
Intervention Required - Paper Jam	4209x	X	X
Intervention Required - Paper Jam	4210x	X	X
Intervention Required - Paper Jam	4211x	X	X
Intervention Required - Paper Jam	4220x	X	X

w indicates this message includes a letter indicating a door or cover that needs to be opened.  
x represents the number of jammed pages in the printer.  
y represents the tray number.  
z represents the bin number.

<b>√ = Supported</b> <b>X = Not supported</b>		<b>Printer model</b>	
<b>Message</b>	<b>Status code</b>	<b>E260, E260d/dn, E360d/dn, E460dn/ dw</b>	<b>X203n MFP, X204n MFP</b>
Intervention Required - Paper Jam	4221x	X	X
Intervention Required - Paper Jam	4222x	X	X
Intervention Required - Paper Jam	4230x	X	X
Intervention Required - Paper Jam	4230z	√	X
Intervention Required - Paper Jam	4231x	X	X
Intervention Required - Paper Jam	4231z	X	X
Intervention Required - Paper Jam	4232x	X	X
Intervention Required - Paper Jam	4233x	X	X
Intervention Required - Paper Jam	4234	X	X
Intervention Required - Paper Jam	424yx	X	X
Intervention Required - Paper Jam	424xz	√	X
Intervention Required - Paper Jam	4241wy	X	X
Intervention Required - Paper Jam	4241z	X	X
Intervention Required - Paper Jam	4242wy	X	X
Intervention Required - Paper Jam	4242z	X	X

w indicates this message includes a letter indicating a door or cover that needs to be opened.  
x represents the number of jammed pages in the printer.  
y represents the tray number.  
z represents the bin number.



✓ = Supported X = Not supported		Printer model	
Message	Status code	E260, E260d/dn, E360d/dn, E460dn/ dw	X203n MFP, X204n MFP
Intervention Required - Paper Jam	4243w	X	X
Intervention Required - Paper Jam	4243z	X	X
Intervention Required - Paper Jam	4244wy	X	X
Intervention Required - Paper Jam	4244z	X	X
Intervention Required - Paper Jam	4245w	X	X
Intervention Required - Paper Jam	4246w	X	X
Intervention Required - Paper Jam	4247wy	X	X
Intervention Required - Paper Jam	4248w	X	X
Intervention Required - Paper Jam	4249w	X	X
Intervention Required - Paper Jam	4250w	X	X
Intervention Required - Paper Jam	4250x	X	X
Intervention Required - Paper Jam	4250z	✓	✓
Intervention Required - Paper Jam	4251wy	X	X
Intervention Required - Paper Jam	4251x	X	X
Intervention Required - Paper Jam	4252w	X	X

w indicates this message includes a letter indicating a door or cover that needs to be opened.  
x represents the number of jammed pages in the printer.  
y represents the tray number.  
z represents the bin number.

✓ = Supported X = Not supported		Printer model	
Message	Status code	E260, E260d/dn, E360d/dn, E460dn/ dw	X203n MFP, X204n MFP
Intervention Required - Paper Jam	4253w	X	X
Intervention Required - Paper Jam	4254wy	X	X
Intervention Required - Paper Jam	4255	X	X
Intervention Required - Paper Jam	4256w	X	X
Intervention Required - Paper Jam	4257w	X	X
Intervention Required - Paper Jam	4258w	X	X
Intervention Required - Paper Jam	4259wy	X	X
Intervention Required - Paper Jam	4260w	X	X
Intervention Required - Paper Jam	4260x	X	X
Intervention Required - Paper Jam	4260z	X	X
Intervention Required - Paper Jam	4261w	X	X
Intervention Required - Paper Jam	4261x	X	X
Intervention Required - Paper Jam	427xz	X	X
Intervention Required - Paper Jam	427zx	X	X
Intervention Required - Paper Jam	4271	X	X

w indicates this message includes a letter indicating a door or cover that needs to be opened.  
 x represents the number of jammed pages in the printer.  
 y represents the tray number.  
 z represents the bin number.

✓ = Supported X = Not supported		Printer model	
Message	Status code	E260, E260d/dn, E360d/dn, E460dn/ dw	X203n MFP, X204n MFP
Intervention Required - Paper Jam	4271z	X	X
Intervention Required - Paper Jam	4272	X	X
Intervention Required - Paper Jam	4272z	X	X
Intervention Required - Paper Jam	4273	X	X
Intervention Required - Paper Jam	4280w	X	X
Intervention Required - Paper Jam	4280x	X	X
Intervention Required - Paper Jam	4280z	X	X
Intervention Required - Paper Jam	4281w	X	X
Intervention Required - Paper Jam	4281x	X	X
Intervention Required - Paper Jam	4281z	X	X
Intervention Required - Paper Jam	4282w	X	X
Intervention Required - Paper Jam	4282x	X	X
Intervention Required - Paper Jam	4282z	X	X
Intervention Required - Paper Jam	4283w	X	X
Intervention Required - Paper Jam	4283x	X	X

w indicates this message includes a letter indicating a door or cover that needs to be opened.  
x represents the number of jammed pages in the printer.  
y represents the tray number.  
z represents the bin number.

✓ = Supported X = Not supported		Printer model	
Message	Status code	E260, E260d/dn, E360d/dn, E460dn/ dw	X203n MFP, X204n MFP
Intervention Required - Paper Jam	4283z	X	X
Intervention Required - Paper Jam	4284w	X	X
Intervention Required - Paper Jam	4284x	X	X
Intervention Required - Paper Jam	4284z	X	X
Intervention Required - Paper Jam	4285w	X	X
Intervention Required - Paper Jam	4285z	X	X
Intervention Required - Paper Jam	4286w	X	X
Intervention Required - Paper Jam	4286z	X	X
Intervention Required - Paper Jam	4287	X	X
Intervention Required - Paper Jam	4287z	X	X
Intervention Required - Paper Jam	4288	X	X
Intervention Required - Paper Jam	4288z	X	X
Intervention Required - Paper Jam	4289	X	X
Intervention Required - Paper Jam	4289z	X	X
Intervention Required - Paper Jam	4290	X	X

w indicates this message includes a letter indicating a door or cover that needs to be opened.  
x represents the number of jammed pages in the printer.  
y represents the tray number.  
z represents the bin number.

✓ = Supported X = Not supported		Printer model	
Message	Status code	E260, E260d/dn, E360d/dn, E460dn/ dw	X203n MFP, X204n MFP
Intervention Required - Paper Jam	4291	X	X
Intervention Required - Paper Jam	4292	X	X
Intervention Required - Paper Jam	4293	X	X
Intervention Required - Paper Jam	4294	X	X
Intervention Required - Paper Jam	4295	X	X

w indicates this message includes a letter indicating a door or cover that needs to be opened.  
x represents the number of jammed pages in the printer.  
y represents the tray number.  
z represents the bin number.

## Service errors

✓ = Supported X = Not supported		Printer model	
Message	Error code	E260, E260d/dn, E360d/dn, E460dn/ dw	X203n MFP, X204n MFP
ALL SERVICE MESSAGES	50000	X	X

## Device attendance messages

✓ = Supported X = Not supported		Printer model	
Message		E260, E260d/dn, E360d/dn, E460dn/ dw	X203n MFP, X204n MFP
OPMSG		✓	✓
RDYMSG		✓	✓

✓ = Supported X = Not supported	Printer model	
	E260, E260d/dn, E360d/dn, E460dn/ dw	X203n MFP, X204n MFP
Message		
STMSG	✓	✓

## Lexmark-unique PJI commands

✓ = Supported X = Not supported	Printer model	
	E260, E260d/dn, E360d/dn, E460dn/ dw	X203n MFP, X204n MFP
Command		
LBEEP	X	✓
LCLOSEFILE	✓	✓
LDEFRAG	✓	✓
LDELETEFILE	✓	✓
LDOWNLOADTARGET	✓	✓
LENGINEPRT	✓	✓
LESCAPECHAR	✓	✓
LFAX PHONENUMBER	X	✓
LFORMAT	✓	✓
LINITIALIZEPRINTER	X	X
LOPENFILE	✓	✓
LPORTROTATE	✓	✓
LPRINTDIRECTORY	✓	✓
LPRINTMENUS	✓	✓
LPRINTPCLFONTS	✓	✓
LPRINTPSFONTS	✓	✓
LPRINTTESTPAGE	✓	✓
LPRINTDIAG1TEST	✓	✓
LPRINTDIAG2TEST	✓	✓

✓ = Supported X = Not supported	Printer model	
	E260, E260d/dn, E360d/dn, E460dn/ dw	X203n MFP, X204n MFP
Command		
LPRINTDIAG3TEST	✓	✓
LREADFILE	✓	✓
LRENAMEFILE	✓	✓
LRUNFILE	✓	✓
LWRITEFILE	✓	✓

## File and device protection commands

✓ = Supported X = Not supported	Printer model	
	E260, E260d/dn, E360d/dn, E460dn/ dw	X203n MFP, X204n MFP
Command		
LBYPASSPASSWORD KEY	✓	✓
LDECLARE LRESOURCE	✓	✓
LDELETEPASSWORD	✓	✓
LQUERYSEED	✓	✓

# Appendix C: PostScript support

## Supplemental operators

Operator name	Printer model	
	E260, E260d/dn, E360d/dn, E460dn/ dw	X203n MFP, X204n MFP
appletalktype	✓	✓
buildtime	✓	✓
byteorder	✓	✓
checkpassword	✓	✓
currentfilenameextend	✓	✓
currentmanualduplexmode	✓	x
currentuniversalsize	✓	✓
defaulttimeouts	x	✓
deletefile	✓	✓
devcontrol	✓	✓
devdismount	✓	✓
devforall	✓	✓
devformat	✓	✓
devmount	✓	✓
devstatus	✓	✓
diskonline	✓	✓
diskstatus	✓	✓
displayoperatormsg	✓	✓
doidlefonts	✓	✓
dojamrecovery	✓	✓
doprinterrors	✓	✓
doret	x	x



<b>√ = Supported</b> <b>X = Not supported</b>	Printer model	
	E260, E260d/dn, E360d/dn, E460dn/ dw	X203n MFP, X204n MFP
dostartpage	√	√
dosysstart	√	√
duplexer	√	√
duplexmode	√	√
enginesync	√	√
file	√	√
filenameforall	√	√
fileposition	√	√
firstside	√	√
fontnonzerowinding	√	√
hardwareiomode	√	√
idlefonts	√	√
ignoresize	√	√
initializedisk	√	√
jobname	√	√
jobsources	√	√
jobtimeout	√	√
manualfeed	√	√
manualfeedtimeout	√	√
newsheet	√	√
pagecount	√	√
pagesprinted	√	√
papertray	√	√
printername	√	√
product	√	√
PS2fonts	√	√

Appendix C: PostScript support

<b>✓ = Supported</b> <b>X = Not supported</b>	Printer model	
	E260, E260d/dn, E360d/dn, E460dn/ dw	X203n MFP, X204n MFP
Operator name		
PS3fonts	✓	✓
quiet	✓	✓
ramsize	✓	✓
realformat	✓	✓
renamefile	✓	✓
resolution	✓	✓
revision	✓	✓
sccbatch	✓	✓
sccinteractive	✓	✓
setcoverpage	X	X
setdefaulttimeouts	✓	✓
setdoidlefonts	✓	✓
setdojamrecovery	✓	✓
setdoprinterrors	✓	✓
setdoret	X	X
setdostartpage	✓	✓
setdosysstart	✓	✓
setduplexmode	✓	✓
setenginesync	✓	✓
setethernetaddress	✓	✓
setfilenameextend	✓	✓
setfileposition	✓	✓
sethardwareiomode	✓	✓
setidlefonts	✓	✓
setignoresize	✓	✓
setjobtimeout	X	✓

✓ = Supported X = Not supported	Printer model	
	E260, E260d/dn, E360d/dn, E460dn/ dw	X203n MFP, X204n MFP
Operator name		
setmanualduplexmode	✓	X
setpapertray	✓	✓
setprintername	✓	✓
setquiet	✓	✓
setresolution	✓	✓
setscbatch	✓	✓
setscinteractive	✓	✓
setsoftwareiomode	✓	✓
settumble	✓	✓
setuniversalsize	✓	✓
setuserdiskpercent	✓	✓
softwareiomode	✓	✓
tumble	✓	✓
userdiskpercent	✓	✓
waittimeout	✓	✓

## Page device parameters

✓ = Supported X = Not supported	Printer model	
	E260, E260d/dn, E360d/dn, E460dn/ dw	X203n MFP, X204n MFP
Key		
BeginPage	✓	✓
Collate	✓	✓
DeferredMediaSelection	✓	✓
<sup>1</sup> The E260, E260d/dn, E360d/dn, and E460dn/dw model printers support only one optional tray. <sup>2</sup> For E360d/dn and E460dn/dw model printers only.		

✓ = Supported X = Not supported	Printer model	
	E260, E260d/dn, E360d/dn, E460dn/ dw	X203n MFP, X204n MFP
DeviceRenderingInfo	✓	✓
• AutoMediaType	✓	✓
• ColorBalance	X	X
• ColorCorrection	✓	✓
• ColorSaver	X	X
• DefaultPoliciesPageSize	X	X
• EdgeToEdge	✓	✓
• ImageBrightness	✓	✓
• ImageContrast	✓	✓
• ImageEnhancement	✓	✓
• ImageEnhancementType	✓	✓
• ImageSaturation	X	X
• LineDetail	✓	✓
• ManualColor	X	X
• PrintDarkness	✓	✓
• PictureGrade	X	X
• PrintQuality	X	X
• Screening	X	X
- ColorGrade	X	X
- IET	X	X
- IETImagesOnly	X	X
- IETPictureGrade	X	X
- None	X	X
- PictureGrade	X	X
• SubstituteSize	✓	✓
• TonerSaver	✓	✓
<sup>1</sup> The E260, E260d/dn, E360d/dn, and E460dn/dw model printers support only one optional tray. <sup>2</sup> For E360d/dn and E460dn/dw model printers only.		

## Appendix C: PostScript support

Key	Printer model	
	E260, E260d/dn, E360d/dn, E460dn/ dw	X203n MFP, X204n MFP
• Type	✓	✓
Duplex	✓	✓
EndPage	✓	✓
ExitJamRecovery	✓	✓
HWResolution	✓	✓
ImagingBBox	✓	✓
InputAttributes	✓	✓
• 0 - Tray 1	✓	✓
• 1 - Tray 2	✓	X
• 2 - Envelope Feeder	X	X
• 3 - Tray 3 <sup>1</sup>	✓	X
• 4 - Multipurpose Feeder <sup>2</sup>	✓	X
• 5 - Tray 4	X	X
• 6 - Tray 5	X	X
- InputLocation	✓	✓
- MatchAll	✓	✓
- MediaColor	✓	✓
- MediaType	✓	✓
- MediaWeight	✓	✓
- PageSize	✓	✓
• Mode	✓	✓
• Priority	✓	✓
Install	✓	✓
Jog	✓	✓

<sup>1</sup> The E260, E260d/dn, E360d/dn, and E460dn/dw model printers support only one optional tray.

<sup>2</sup> For E360d/dn and E460dn/dw model printers only.

✓ = Supported X = Not supported	Printer model	
	E260, E260d/dn, E360d/dn, E460dn/ dw	X203n MFP, X204n MFP
ManualFeed	✓	✓
ManualFeedTimeout	✓	✓
MediaColor	✓	✓
MediaPosition	✓	✓
MediaType	✓	✓
MediaWeight	✓	✓
NumCopies	✓	✓
Nup	✓	✓
NupDetails	✓	✓
• Border	✓	✓
• Columns	✓	✓
• LandscapeOverride	✓	✓
• Order	✓	✓
• Orientation	✓	✓
• Rows	✓	✓
• Type	✓	✓
OutputAttributes	✓	✓
• 0 - Standard Bin	✓	✓
• 1 - Optional Bin 1	X	X
• 2 - Optional Bin 2	X	X
• 3 - Optional Bin 3	X	X
• 4 - Optional Bin 4	X	X
• 5 - Optional Bin 5	X	X
• 6 - Optional Bin 6	X	X
• 7 - Optional Bin 7	X	X

<sup>1</sup> The E260, E260d/dn, E360d/dn, and E460dn/dw model printers support only one optional tray.

<sup>2</sup> For E360d/dn and E460dn/dw model printers only.

## Appendix C: PostScript support

<b>✓ = Supported</b> <b>X = Not supported</b>	Printer model	
	E260, E260d/dn, E360d/dn, E460dn/ dw	X203n MFP, X204n MFP
Key		
• 8 - Optional Bin 8	X	X
• 9 - Optional Bin 9	X	X
• 10 - Optional Bin 10	X	X
- OutputLocation	✓	✓
- OutputType	✓	✓
- Priority	✓	✓
OutputPage	✓	✓
OutputType	✓	✓
PageDeviceName	✓	✓
PageSize	✓	✓
Policies	✓	✓
• PolicyNotFound	✓	✓
• PolicyReport	✓	✓
• PageSize	✓	✓
PostRenderingEnhance	X	X
PostRenderingEnhanceDetails	X	X
• REValue	X	X
• Type	X	X
PowerSave	✓	✓
ProcessColorModel	X	X
Punch	X	X
SlipSheet	✓	✓
SlipSheetDetails	✓	✓
• SlipSheetSource	✓	✓
• Type	✓	✓
<sup>1</sup> The E260, E260d/dn, E360d/dn, and E460dn/dw model printers support only one optional tray. <sup>2</sup> For E360d/dn and E460dn/dw model printers only.		

## Appendix C: PostScript support

✓ = Supported X = Not supported		Printer model	
Key		E260, E260d/dn, E360d/dn, E460dn/ dw	X203n MFP, X204n MFP
Staple		X	X
TraySwitch		✓	✓
Tumble		✓	✓
UniversalDetails		✓	✓
• Orientation		✓	✓
• PageSize		✓	✓
• Prompt		✓	✓
• Type		✓	✓
<sup>1</sup> The E260, E260d/dn, E360d/dn, and E460dn/dw model printers support only one optional tray. <sup>2</sup> For E360d/dn and E460dn/dw model printers only.			

## User interpreter parameters

✓ = Supported X = Not supported		Printer model	
Key	Default	E260, E260d/dn, E360d/dn, E460dn/ dw	X203n MFP, X204n MFP
AccurateScreens	false	✓	✓
CollatedCopies	Collation - Collated Copies (QTY) value	✓	✓
HalftoneMode	0	✓	✓
IdiomRecognition	true	✓	✓
JobName	()	✓	✓
JobTimeout	JobTimeout system parameter	✓	✓
MaxDictStack	255	✓	✓
MaxExecStack	10015	✓	✓
MaxFontItem	12500	✓	✓
MaxFormItem	100000	✓	✓



✓ = Supported X = Not supported		Printer model	
Key	Default	E260, E260d/dn, E360d/dn, E460dn/ dw	X203n MFP, X204n MFP
MaxLocalVM	2147483647	✓	✓
MaxOpStack	100000	✓	✓
MaxPatternItem	20000	✓	✓
MaxScreenItem	48000	✓	✓
MaxSuperScreen	1024	✓	✓
MaxUPathItem	5000	✓	✓
MinFontCompress	2147483647	✓	✓
PageCount	0	✓	✓
UseOldcopypage	false	✓	✓
VMReclaim	0	✓	✓
VMThreshold	25000 per MB of RAM	✓	✓
WaitTimeout	WaitTimeout system parameter	✓	✓

## System interpreter parameters

✓ = Supported X = Not supported		Printer model	
Key		T650n/dn/dtn, T652n/dn/dtn, T654n/dn/dtn	X651 MFP, X652 MFP, X654 MFP, X656 MFP, X658 MFP
BuildTime		✓	✓
ByteOrder		✓	✓
CurDisplayList		✓	✓
CurFontCache		✓	✓
CurFormCache		✓	✓
CurInputDevice		✓	✓
CurOutlineCache		✓	✓
CurOutputDevice		✓	✓

<b>✓ = Supported</b> <b>X = Not supported</b>	Printer model	
	T650n/dn/dtn, T652n/dn/dtn, T654n/dn/dtn	X651 MFP, X652 MFP, X654 MFP, X656 MFP, X658 MFP
Key		
CurPatternCache	✓	✓
CurScreenStorage	✓	✓
CurSourceList	✓	✓
CurUPathCache	✓	✓
DisableFastProcs	✓	✓
DoPrintErrors	✓	✓
DoStartPage	✓	✓
EnableExtraFonts	✓	✓
EngineBoot	✓	✓
EngineCode	✓	✓
EngineSpeed	✓	✓
EnvironmentSave	✓	✓
FactoryDefaults	✓	✓
FatalErrorAddress	✓	✓
FontResourceDir	✓	✓
FontVersion	✓	✓
GenericResourceDir	✓	✓
GenericResourcePathSep	✓	✓
InstalledRam	✓	✓
JobTimeout	✓	✓
languagelevel	✓	✓
MaxDisplayList	✓	✓
MaxDisplayAndSourceList	✓	✓
MaxFontCache	✓	✓
MaxFormCache	✓	✓
MaxImageBuffer	✓	✓

<b>✓ = Supported</b> <b>X = Not supported</b>	Printer model	
	T650n/dn/dtn, T652n/dn/dtn, T654n/dn/dtn	X651 MFP, X652 MFP, X654 MFP, X656 MFP, X658 MFP
Key		
MaxOutlineCache	✓	✓
MaxPatternCache	✓	✓
MaxPermanentVM	✓	✓
MaxRasterMemory	✓	✓
MaxScreenStorage	✓	✓
MaxSourceList	✓	✓
MaxUPathCache	✓	✓
PageCount	✓	✓
PanelCode	✓	✓
PrinterCode	✓	✓
PrinterName	✓	✓
RamSize	✓	✓
RealFormat	✓	✓
Revision	✓	✓
SearchBuiltinFontsFirst	✓	✓
SerialNumber	✓	✓
StartJobPassword	✓	✓
StartupMode	✓	✓
StaticRamSize	✓	✓
SystemParamsPassword	✓	✓
UseOldcopypage	✓	✓
UseOldfonts	✓	✓
ValidNV	✓	✓
WaitTimeout	✓	✓

# Devices supported

Device	Printer model	
	E260, E260d/dn, E360d/dn, E460dn/ dw	X203n MFP, X204n MFP
%AppSocketA%	✓	✓
%AppSocketB%	✓	✓
%AppSocketC%	✓	✓
%AppSocketD%	✓	✓
%EthernetPhysicalA%	✓	✓
%EthernetPhysicalB%	✓	✓
%EthernetPhysicalC%	✓	✓
%EthernetPhysicalD%	✓	✓
%EtherTalkA%	✓	✓
%EtherTalkB%	✓	✓
%EtherTalkC%	✓	✓
%EtherTalkD%	✓	✓
%IP_A%	✓	✓
%IP_B%	✓	✓
%IP_C%	✓	✓
%IP_D%	✓	✓
%IR_A%	✓	✓
%IR_B%	✓	✓
%IR_C%	✓	✓
%IR_D%	✓	✓
%LexLinkA%	✓	✓
%LexLinkB%	✓	✓
%LexLinkC%	✓	✓
%LexLinkD%	✓	✓

<b>✓ = Supported</b> <b>X = Not supported</b>	Printer model	
	E260, E260d/dn, E360d/dn, E460dn/ dw	X203n MFP, X204n MFP
Device		
%LocalTalkA%	✓	✓
%LocalTalkB%	✓	✓
%LocalTalkC%	✓	✓
%LocalTalkD%	✓	✓
%LPR_A%	✓	✓
%LPR_B%	✓	✓
%LPR_C%	✓	✓
%LPR_D%	✓	✓
%ParallelA%	✓	✓
%ParallelB%	✓	✓
%ParallelC%	✓	✓
%ParallelD%	✓	✓
%PrintServerA%	✓	✓
%PrintServerB%	✓	✓
%PrintServerC%	✓	✓
%PrintServerD%	✓	✓
%RemotePrinterA%	✓	✓
%RemotePrinterB%	✓	✓
%RemotePrinterC%	✓	✓
%RemotePrinterD%	✓	✓
%SerialA%	✓	✓
%SerialB%	✓	✓
%SerialC%	✓	✓
%SerialD%	✓	✓
%TokenRingPhysicalA%	✓	✓
%TokenRingPhysicalB%	✓	✓

✓ = Supported X = Not supported	Printer model	
	E260, E260d/dn, E360d/dn, E460dn/ dw	X203n MFP, X204n MFP
<b>Device</b>		
%TokenRingPhysicalC%	✓	✓
%TokenRingPhysicalD%	✓	✓
%TokenTalkA%	✓	✓
%TokenTalkB%	✓	✓
%TokenTalkC%	✓	✓
%TokenTalkD%	✓	✓
%USB_A%	✓	✓
%USB_B%	✓	✓
%USB_C%	✓	✓
%USB_D%	✓	✓

## Device parameters

✓ = Supported X = Not supported	Printer model	
	E260, E260d/dn, E360d/dn, E460dn/ dw	X203n MFP, X204n MFP
<b>Key</b>		
<b>Device Parameters for the Communication Device %Parallel%, %ParallelA%, %ParallelB%, %ParallelC%, %ParallelD%</b>		
DelayedOutputClose	✓	✓
Enabled	✓	✓
Filtering	✓	✓
Handshake	✓	✓
HasNames	✓	✓
Interpreter	✓	✓
On	✓	✓
OutputDevice	✓	✓

✓ = Supported X = Not supported	Printer model	
	E260, E260d/dn, E360d/dn, E460dn/ dw	X203n MFP, X204n MFP
Key		
PCLSmartSwitch	✓	✓
PortLocation	✓	✓
PSSmartSwitch	✓	✓
Type	✓	✓
<b>Device Parameters for the Communication Device %Serial%, %SerialA%, %SerialB%, %SerialC%, %SerialD%</b>		
Baud	✓	✓
CheckParity	✓	✓
DataBits	✓	✓
DelayedOutputClose	✓	✓
Enabled	✓	✓
Filtering	✓	✓
FlowControl	✓	✓
HasNames	✓	✓
HonorDSR	✓	✓
Interpreter	✓	✓
On	✓	✓
Parity	✓	✓
PCLSmartSwitch	✓	✓
PortLocation	✓	✓
PSSmartSwitch	✓	✓
RobustXon	✓	✓
SerialMode	✓	✓
StopBits	✓	✓
Type	✓	✓

✓ = Supported X = Not supported	Printer model	
	E260, E260d/dn, E360d/dn, E460dn/ dw	X203n MFP, X204n MFP
<b>Key</b>		
<b>Device Parameters for the Communication Device %LocalTalk%, %LocalTalkA%, %LocalTalkB%, %LocalTalkC%, %LocalTalkD%</b>		
DelayedOutputClose	✓	✓
Enabled	✓	✓
Filtering	✓	✓
HasNames	✓	✓
Interpreter	✓	✓
LocalTalkType	✓	✓
NodeID	✓	✓
On	✓	✓
PCLSmartSwitch	✓	✓
PortLocation	✓	✓
PSSmartSwitch	✓	✓
Type	✓	✓
<b>Device Parameters for the Communication Device %EtherTalk%, %EtherTalkA%, %EtherTalkB%, %EtherTalkC%, %EtherTalkD%</b>		
DelayedOutputClose	✓	✓
Enabled	✓	✓
EthernetAddress	✓	✓
EtherTalkType	✓	✓
EtherTalkZone	✓	✓
Filtering	✓	✓
HasNames	✓	✓
Interpreter	✓	✓
NodeID	✓	✓
On	✓	✓
PCLSmartSwitch	✓	✓



Key	Printer model	
	E260, E260d/dn, E360d/dn, E460dn/ dw	X203n MFP, X204n MFP
PortLocation	✓	✓
PSSmartSwitch	✓	✓
Type	✓	✓
<b>Device Parameters for the Communication Device %IR%, %IR_A%, %IR_B%, %IR_C%, %IR_D%</b>		
DelayedOutputClose	✓	✓
Enabled	✓	✓
Filtering	✓	✓
HasNames	✓	✓
Interpreter	✓	✓
On	✓	✓
PCLSmartSwitch	✓	✓
PortLocation	✓	✓
PSSmartSwitch	✓	✓
Type	✓	✓
<b>Device Parameters for the Communication Device %USB%, %USB_A%, %USB_B%, %USB_C%, %USB_D%</b>		
DelayedOutputClose	✓	✓
Enabled	✓	✓
Filtering	✓	✓
HasNames	✓	✓
Interpreter	✓	✓
On	✓	✓
PCLSmartSwitch	✓	✓
PortLocation	✓	✓
PSSmartSwitch	✓	✓
Type	✓	✓

✓ = Supported X = Not supported	Printer model	
	E260, E260d/dn, E360d/dn, E460dn/ dw	X203n MFP, X204n MFP
<b>Key</b>		
<b>Device Parameters for the Communication Device %TokenTalk%, %TokenTalkA%, %TokenTalkB%, %TokenTalkC%, %TokenTalkD%</b>		
Address	✓	✓
Bridging	✓	✓
DelayedOutputClose	✓	✓
Enabled	✓	✓
Filtering	✓	✓
HasNames	✓	✓
Interpreter	✓	✓
NodeID	✓	✓
On	✓	✓
PCLSmartSwitch	✓	✓
PortLocation	✓	✓
PSSmartSwitch	✓	✓
TokenTalkType	✓	✓
Type	✓	✓
Zone	✓	✓
<b>Device Parameters for the Communication Device %AppSocket%, %AppSocketA%, %AppSocketB%, %AppSocketC%, %AppSocketD%</b>		
DelayedOutputClose	✓	✓
Enabled	✓	✓
Filtering	✓	✓
HasNames	✓	✓
Interpreter	✓	✓
On	✓	✓
PortLocation	✓	✓

✓ = Supported X = Not supported	Printer model	
	E260, E260d/dn, E360d/dn, E460dn/ dw	X203n MFP, X204n MFP
Key		
Type	✓	✓
<b>Device Parameters for the Communication Device %RemotePrinter%, %RemotePrinterA%, %RemotePrinterB%, %RemotePrinterC%, %RemotePrinterD%</b>		
DelayedOutputClose	✓	✓
Enabled	✓	✓
Filtering	✓	✓
HasNames	✓	✓
Interpreter	✓	✓
On	✓	✓
PortLocation	✓	✓
Type	✓	✓
<b>Device Parameters for the Communication Device %PrintServer%, PrintServerA%, PrintServerB%, %PrintServerC%, %PrintServerD%</b>		
DelayedOutputClose	✓	✓
Enabled	✓	✓
Filtering	✓	✓
HasNames	✓	✓
Interpreter	✓	✓
On	✓	✓
PortLocation	✓	✓
Type	✓	✓
<b>Device Parameters for the Communication Device %LPR%, %LPR_A%, %LPR_B%, %LPR_C%, %LPR_D%</b>		
Enabled	✓	✓
Filtering	✓	✓
HasNames	✓	✓

Key	Printer model	
	E260, E260d/dn, E360d/dn, E460dn/ dw	X203n MFP, X204n MFP
✓ = Supported X = Not supported		
Interpreter	✓	✓
On	✓	✓
PortLocation	✓	✓
Type	✓	✓
<b>Device Parameters for the Communication Device %LexLink%, %LexLinkA%, %LexLinkB%, %LexLinkC%, %LexLinkD%</b>		
DelayedOutputClose	✓	✓
Enabled	✓	✓
HasNames	✓	✓
Interpreter	✓	✓
On	✓	✓
PortLocation	✓	✓
Type	✓	✓
<b>Device Parameters for the Communication Device %IP%, %IP_A%, %IP_B%, %IP_C%, %IP_D%</b>		
GatewayAddress	✓	✓
IPAddress	✓	✓
IPAddressDynamic	✓	✓
NetworkMask	✓	✓
On	✓	✓
Physical	✓	✓
PortLocation	✓	✓
Type	✓	✓
<b>Device Parameters for the Communication Device %EthernetPhysical%, %EthernetPhysicalA%, %EthernetPhysicalB%, %EthernetPhysicalC%, %EthernetPhysicalD%</b>		
EthernetAddress	✓	✓

✓ = Supported X = Not supported	Printer model	
	E260, E260d/dn, E360d/dn, E460dn/ dw	X203n MFP, X204n MFP
Key		
On	✓	✓
PortLocation	✓	✓
Type	✓	✓
<b>Device Parameters for the Communication Device %TokenRingPhysical%, %TokenRingPhysicalA%, %TokenRingPhysicalB%, %TokenRingPhysicalC%, %TokenRingPhysicalD%</b>		
Address	✓	✓
On	✓	✓
PortLocation	✓	✓
Speed	✓	✓
Type	✓	✓
<b>Device Parameters for the Parameters Device %Engine%</b>		
BSizeStandard	✓	✓
Darkness	✓	✓
PageCount	✓	✓
TimeToStandby	✓	✓
Type	✓	✓
<b>Device Parameters for the Parameters Device %Console%</b>		
Language	✓	✓
Type	✓	✓
<b>Device Parameters for the Parameters Device %Calendar%, %CalendarA%, %CalendarB%, %CalendarC%, %CalendarD%</b>		
Day	✓	✓
Hour	✓	✓
Minute	✓	✓
Month	✓	✓
Running	✓	✓

✓ = Supported X = Not supported	Printer model	
	E260, E260d/dn, E360d/dn, E460dn/ dw	X203n MFP, X204n MFP
Second	✓	✓
Type	✓	✓
Year	✓	✓
DateTime	✓	✓
DayOfWeekLong	✓	✓
DayOfWeekNum	✓	✓
DayOfWeekShort	✓	✓
<b>Device Parameters for the Parameters Device %disk1%</b>		
BlockSize	✓	✓
Free	✓	✓
HasNames	✓	✓
InitializeAction	✓	✓
LogicalSize	✓	✓
Mounted	✓	✓
PhysicalSize	✓	✓
Removable	✓	✓
Searchable	✓	✓
SearchOrder	✓	✓
Type	✓	✓
Writeable	✓	✓
<b>Device Parameters for the Parameters Device %flash1%</b>		
BlockSize	✓	✓
Free	✓	✓
HasNames	✓	✓
InitializeAction	✓	✓
LogicalSize	✓	✓

✓ = Supported X = Not supported	Printer model	
	E260, E260d/dn, E360d/dn, E460dn/ dw	X203n MFP, X204n MFP
Key		
Mounted	✓	✓
PhysicalSize	✓	✓
Removable	✓	✓
Searchable	✓	✓
SearchOrder	✓	✓
Type	✓	✓
Writeable	✓	✓
<b>Device Parameters for the Parameters Device %rom%</b>		
BlockSize	✓	✓
Free	✓	✓
HasNames	✓	✓
InitializeAction	✓	✓
LogicalSize	✓	✓
Mounted	✓	✓
PhysicalSize	✓	✓
Removable	✓	✓
Searchable	✓	✓
SearchOrder	✓	✓
Type	✓	✓
Writeable	✓	✓

# PostScript message keys commands

Key	Printer model	
	E260, E260d/dn, E360d/dn, E460dn/ dw	X203n MFP, X204n MFP
job	✓	✓
status	✓	✓
source	✓	✓



# Index

## A

air temperature ranges 20  
airflow requirement 17  
altitude specifications 21  
atmospheric pressure 21

## C

clearance requirements 20  
commands  
PJL, file and device protection 79  
PJL, Lexmark-unique 78  
PostScript, message keys 104  
commands supported  
GL/2 28  
PCL emulation 22  
PJL, common variables for both languages 32  
PJL, common variables for PCL emulation 44  
PJL, common variables for PostScript emulation 45  
PJL, Status Readback 46  
PJL, unique variables for both languages 34  
PJL, unique variables for LRESOURCE 46  
PJL, unique variables for PCL emulation 44  
PJL, unique variables for PostScript emulation 45  
PJL, USTATUS variables 46

## D

devices supported  
PostScript 92  
dimensions, printer 19

## E

electrical specifications 18  
envelope sizes  
support in PostScript 14  
envelope sizes supported 8  
envelope tray support  
PostScript operators 15  
environmental conditions 20  
errors  
PJL, service 77

## F

finding information  
customer support 6  
publications 6

## G

GL/2  
commands supported 28

## H

humidity ranges 21

## L

letter meanings 5  
logical page  
PCL emulation 7

## M

meanings, letters after model number 5  
messages  
PJL, attendance conditions 53  
PJL, auto-continuable conditions 47  
PJL, device attendance 77  
PJL, paper handling 68  
PJL, paper jams 70  
model numbers  
understanding letters 5

## N

noise emission levels 17  
notices 2

## O

operators, envelope sizes  
PostScript 14

## P

page, printable  
PCL emulation 7  
paper and envelope dimensions  
supported models 8  
paper sizes supported 8  
paper sizes, PostScript  
supported by printer 12

paper tray  
operators, PostScript 13, 14  
support in PostScript 13  
parameters  
PostScript, device 94  
PostScript, page device 83  
PostScript, system interpreter 89  
PostScript, user interpreter 88  
PCL emulation  
commands supported 22  
PCL emulation, paper and envelope dimensions  
supported models 8  
physical page  
PCL emulation 7  
physical specifications 19  
PJL commands  
common variables, both languages 32  
common variables, PCL emulation 44  
common variables, PostScript emulation 45  
file and device protection 79  
Lexmark-unique 78  
Status Readback 46  
unique variables, both languages 34  
unique variables, LRESOURCE 46  
unique variables, PCL emulation 44  
unique variables, PostScript emulation 45  
USTATUS variables 46  
PJL commands, information location  
Printer Languages and Interfaces Technical Reference 11  
PJL errors  
service errors 77  
PJL messages  
attendance conditions 53  
auto-continuable conditions 47  
device attendance 77  
paper handling 68  
paper jams 70  
PostScript  
device parameters 94

- devices supported 92
- operators, envelope sizes 14
- page device parameters 83
- supplemental operators 80
- supported paper sizes 12
- tray operators 13
- PostScript commands
  - message keys 104
- PostScript operators
  - envelope tray support 15
- PostScript parameters
  - system interpreter 89
  - user interpreter 88
- power requirements 18
- printable areas 7
- printer specifications 19
  - airflow requirement 17
  - altitude 21
  - atmospheric pressure 21
  - clearance requirements 20
  - electrical 18
  - environmental conditions 20
  - noise emission levels 17
  - power requirements 18

## **R**

- required clearance 20

## **S**

- size, printer 19
- supplemental operators
  - PostScript 80

## **T**

- tray operators
  - PostScript 13

## **W**

- weight, printer 19