

Printing

Paper handling

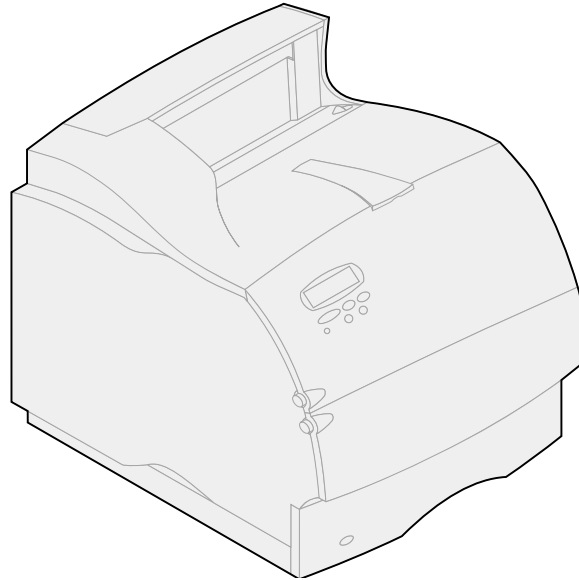
Maintenance

Troubleshooting

Administration

Index

Lexmark T522



Print as book



Printer
overview

Notices

Other
resources

Navigation



Change your
language

www.lexmark.com

Copyright © 2001 Lexmark International, Inc.
All rights reserved.

